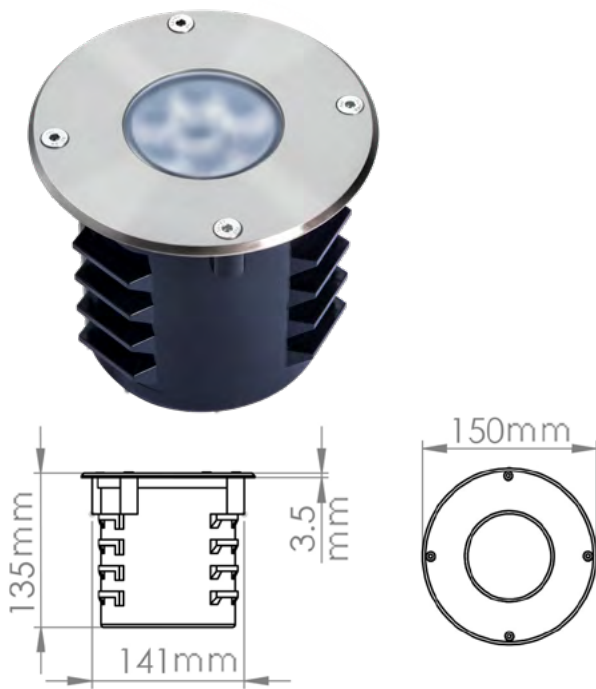


ZIYA - RU220024

12W RECESSED UP LIGHT



PRODUCT SPECIFICATIONS

Trim Material	Grade 316 stainless steel
Trim Finish	Polished stainless steel
Diffuser	Semi- frosted UV resistant polycarbonate
Fixture Material	Die-cast aluminium
Optic	High temperature Japanese acrylic
Sleeve Material	Black polycarbonate
Static Load Pressure	2500kg
LED Chip	Nichia
Binning	3 step MacAdam
Wiring	1 meter of 2 core 0.82 mm ² wire
Lifespan	50,000 hours
Color Rendering Index	>85
Input Voltage	12VAC, 50/60 Hz or 12VDC
Operating Temperature	from -20° to 65°C
Warranty	3 years against manufacturing defects



Power (W)	Available Color Temperatures	Luminous Flux			IP Rating	Available Beam Angles
		3000K	4000K	6000K		
12W	2700K 3000K 4000K 6000K	110lm/W	120lm/W	130lm/W	67	35° 60°