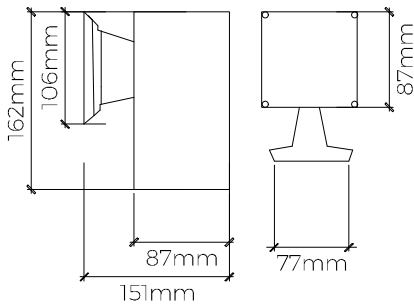


LESEDI - WS220074

6W SMALL WALL SCONCE



PRODUCT SPECIFICATIONS

Fixture Material	Die-cast aluminium
Fixture Finish	Powder-coated bronze
Glass	Clear glass
Optics	High temperature Japanese acrylic
Driver	Built-in
LED Chip	Nichia
Binning	3 step MacAdam
Reflector	Polycarbonate with aluminium coating
Wiring	Attached wiring compartment
Lifespan	50,000 hours
Color Rendering Index	>85
Input Voltage	180-250VAC, 50/60Hz
Driver Protection	Short circuit
Operating Temperature	from -20° to 65°C
Warranty	3 years against manufacturing defects



Power (W)	Available Color Temperatures	Luminous Flux			IP Rating	Available Beam Angles
		3000K	4000K	6000K		
6W	2700K 3000K 4000K 6000K	110lm/W	120lm/W	130lm/W	65	35° 60°