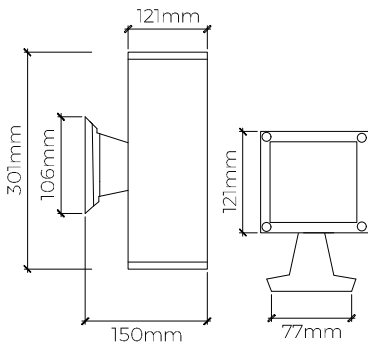


# LESEDI - WS220069

17W LARGE UP & DOWN WALL SCONCE



## PRODUCT SPECIFICATIONS

- Fixture Material — Die-cast aluminium
- Fixture Finish — Powder-coated bronze
- Glass — Clear glass
- Optics — High temperature Japanese acrylic
- Driver — Built-in
- LED Chip — Nichia
- Binning — 3 step MacAdam
- Reflector — Polycarbonate with aluminium coating
- Wiring — Attached wiring compartment
- Lifespan — 50,000 hours
- Color Rendering Index — >85
- Input Voltage — 180-250VAC, 50/60Hz
- Driver Protection — Short circuit
- Operating Temperature — from -20° to 65°C
- Warranty — 3 years against manufacturing defects



Power (W)	Available Color Temperatures	Luminous Flux			IP Rating	Available Beam Angles
		3000K	4000K	6000K		
17W	2700K 3000K 4000K 6000K	110lm/W	120lm/W	130lm/W	65	35° 60°

**Standard option**

Non-standard products may be subject to MOQ. Contact your regional sales representative for more information.