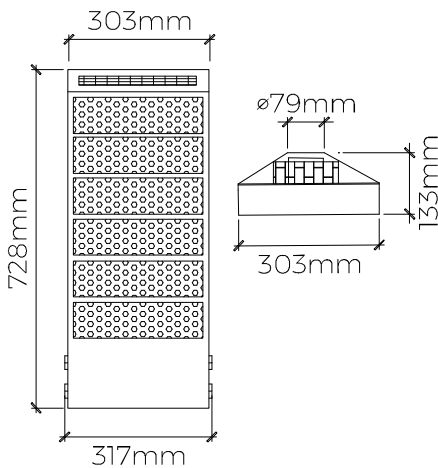


ELNUR - SL550044

300W MODULAR STREET LIGHT



PRODUCT SPECIFICATIONS

- Fixture Material — Die-cast aluminium
- Fixture Finish — Powder-coated gray
- Lens — Clear optical lens
- Diffuser — Clear UV resistant polycarbonate
- Driver — Built-in
- LED Chip — Phillips
- Binning — 3 step MacAdam
- Wiring — 1 meter of 3 core 1.5mm² rubber cable
- Lifespan — 50,000 hours
- Color Rendering Index — >85
- Input Voltage — 180-250V AC, 50/60Hz
- Driver protection — Short-circuit
- Operating Temperature — from -20° to 65°C
- Warranty — 3 years against manufacturing defects



Power (W)	Available Color Temperatures	Luminous Flux			IP Rating	Available Beam Angles
		3000K	4000K	6000K		
300W	2700K 3000K 4000K 6000K	110lm/W	120lm/W	130lm/W	66	70x150°