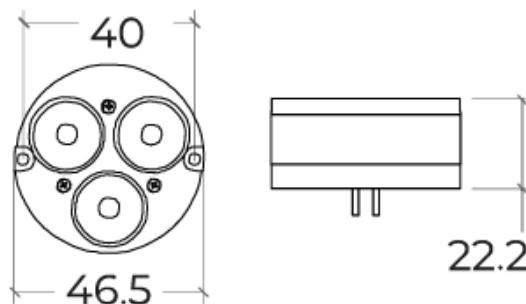


ZORA - LUXMOD2X

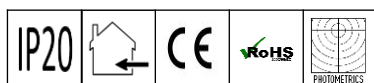
3W or 7W LUX MODULE



PRODUCT SPECIFICATIONS

Fixture Finish	Material Black
Optic	High temperature Japanese Acrylic
Driver	External
Lamp Base	GU5.3
Dimmability	Non-dimmable
Binning	3 Step MacAdam
Life Span	30,000 hours

LED Chip	CREE
Power Consumption	5W or 7W
Input Voltage	12VAC or 12VDC
Operating Temperature	from -20° to 65° C
Color Rendering Index	>85
Driver Protection	Short circuit
Warranty	3 years against manufacturing defects
Agency Approval	CE, RoHS
Weight	46g



Power (W)	Available color Temperatures	LED Chip Lumen Efficacy			Power Factor	Available Beam Angles
		3000K	4000K	6000K		
3W 7W	2700K 3000K 4000K 6000K	80lm/W	85lm/W	90lm/W	> 0.8	41°

Standard option.

Non-standard products may be subject to MOQ. Contact your regional sales representative for more information.