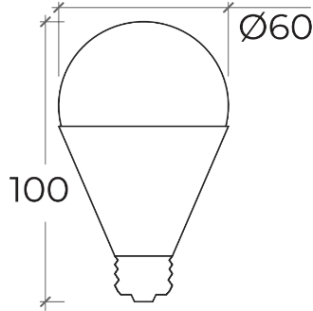




ZORA-CL660090

9W E27 BASED CANDLEBRA LAMP



PRODUCT SPECIFICATIONS

Diffuser	Opal polycarbonate
Heat Sink	Aluminum
Lamp Base	E27
Driver	Built-in
Dimmability	Non-Dimmable
Binning:	3 Step MacAdam
Life Span	20,000 hours

LED Chip	Nichia
Power Consumption	9W
Lamp Input Voltage	220-240VAC 50/60Hz
Operating Temperature	from -20° to 50° C
Color Rendering Index	>80
Warranty	2 years against manufacturing defects
Agency Approval	CE, RoHS
Weight	165g



Power (W)	Available color Temperatures	LED Chip Lumen Efficacy			Power Factor	Available Beam Angles
		3000K	4000K	6000K		
9W	2700K 3000K 4000K 6000K	95lm/W	100lm/W	110lm/W	>0.7	120°

Standard option.

Non-standard products may be subject to MOQ. Contact your regional sales representative for more information.