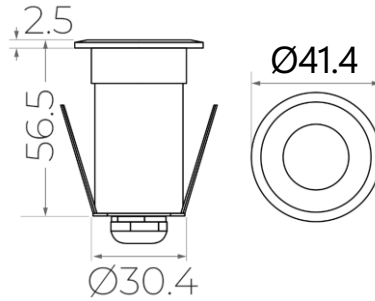




ZIYA-TL220168

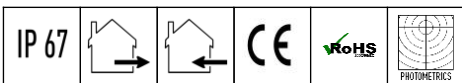
0.5W RECESSED TRAIL LIGHT WITH HONEYCOMB



PRODUCT SPECIFICATIONS

Trim Material	Grade 316 Stainless Steel
Trim Finish	Polished Stainless Steel
Glass	Tempered frosted glass
Fixture Material	Grade 316 Stainless Steel
Sleeve Material	Black Polycarbonate
Static Load Pressure	800kg
Driver	External
Dimmability	DALI dimming system
Binning:	3 Step MacAdam
Wiring	1 Meter of 2 core 0.75mm ² rubber cable
Life Span	50,000 hours

LED Chip	Nichia
Power Consumption	0.5W
Input Voltage	12VAC 50/60Hz or 12VDC Also available in 180-240VAC, 50/60Hz
Operating Temperature	from -20° to 65° C
Color Rendering Index	>85
Warranty	3 years against manufacturing defects
Agency Approval	CE, RoHS



Power (W)	Available color Temperatures	Luminous Flux			IP Rating	Available Beam Angles
		3000K	4000K	6000K		
0.5W	2700K 3000K 4000K 6000K	110lm/W	120lm/W	130lm/W	67	120°

Standard option.

Non-standard products may be subject to MOQ. Contact your regional sales representative for more information.



ACCESSORIES

POLYCARBONATE SLEEVE

Polycarbonate black sleeve to be used with 1.2W mini recessed trail lights. Comes default with every fixture.

