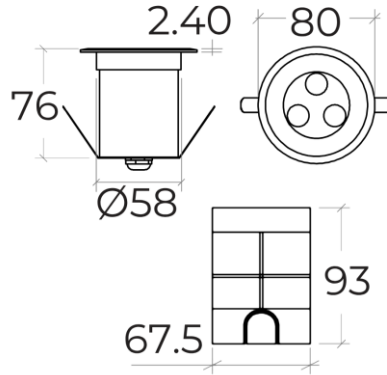




ZIYA-RU221008

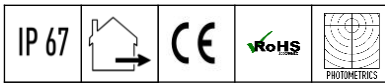
6W RECESSED UP LIGHT WITH HONEYCOMB LOUVER



PRODUCT SPECIFICATIONS

Trim Material	Grade 316 Stainless Steel
Trim Finish	Polished Stainless Steel
Glass	Clear tempered glass
Fixture Material	Grade 316 Stainless Steel
Optic	High temperature Japanese Acrylic
Dimmability	DALI dimmable
Sleeve Material	Black polycarbonate
Binning	3 Step MacAdam
Life Span	50,000 hours

LED Chip	CREE
Power Consumption	6W
Input Voltage	12VAC, 50/60Hz or 12VDC
Operating Temperature	from -20° to 65° C
Color Rendering Index	>85
Warranty	3 years against manufacturing defects
Agency Approval	CE, RoHS



Power (W)	Available color Temperatures	Luminous Flux			IP Rating	Available Beam Angles
		3000K	4000K	6000K		
6W	2700K 3000K 4000K 6000K BLUE	110lm/W	120lm/W	130lm/W	67	10° 15° 25° 35° 45° 60° 15°X30° 20°X40°

Standard option.

Non-standard products may be subject to MOQ. Contact your regional sales representative for more information.