



INSTALLATION INSTRUCTION

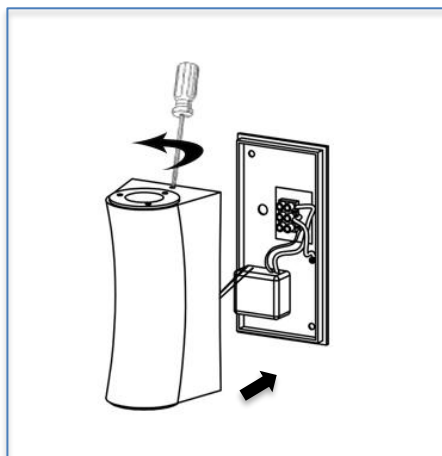
WL220223

Important Instructions. Please read first.

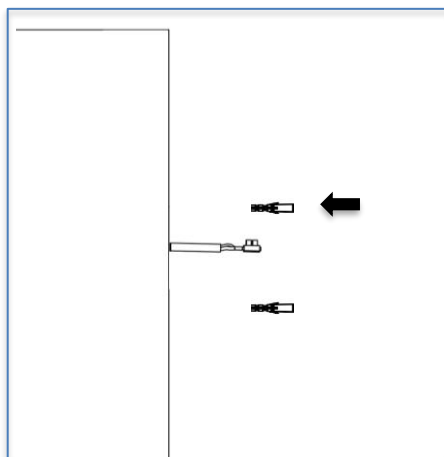
- **Please follow instructions carefully. Failure to do so will void the warranty. Please ensure installation complies with local law and applicable standards.**
 1. Ensure correct input voltage is supplied to the luminaire.
 2. Ensure the power is disconnected before making any connections.
 3. Do not make modification nor alter the luminaire without written approval from GLP.
 4. Ensure to keep luminaire in a clean area free of debris.

INSTALLATION

- **Step 1:** Find a location where the luminaire has to be installed. Install suitable wiring from the main supply (180V-250V AC, 50/60Hz) to the luminaire.
- **Step 2:** Unscrew and remove front cover of the luminaire.



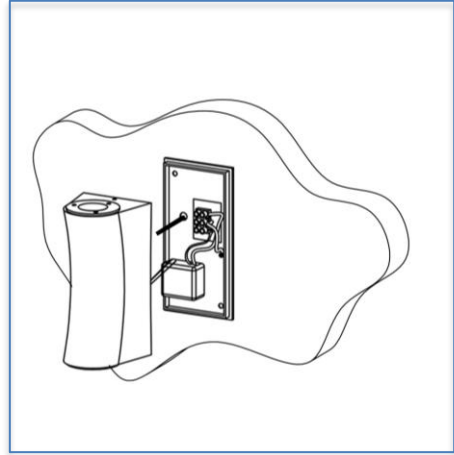
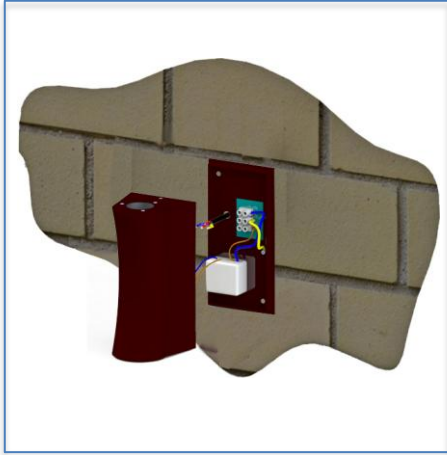
- **Step 3:** Drill holes on the wall and fix provided fishers.



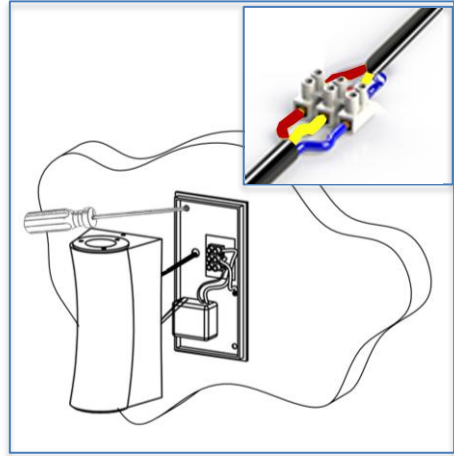
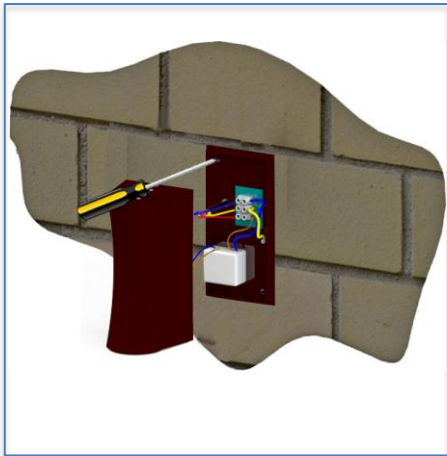
All the Installation and Maintenance must be done by Technicians and Professional Engineers



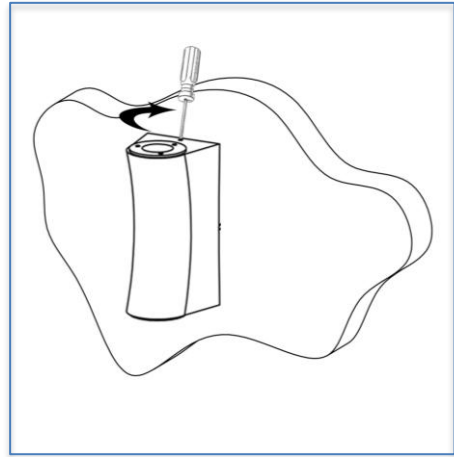
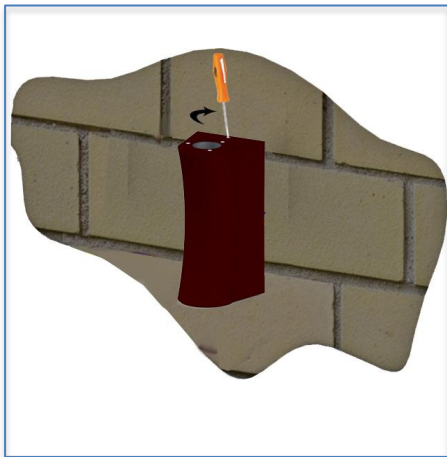
- **Step 4:** Bring in the main cable to the luminaire electrical compartment.



- **Step 5:** Mount the luminaire electrical compartment firmly on the wall using screws and connect the main cable to the luminaire.



- **Step 6:** Fix the luminaire front cover on the electrical compartment using screws.



Make sure the main power is switched off during installations.

All the Installation and Maintenance must be done by Technicians and Professional Engineers