



INSTALLATION INSTRUCTIONS

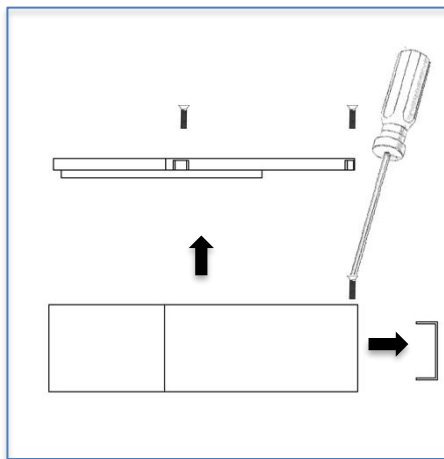
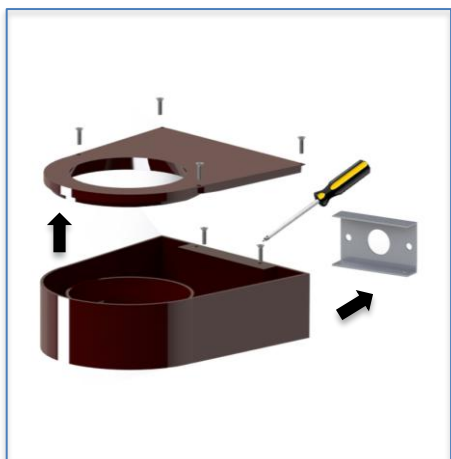
SURFACE MOUNTED SPOT LIGHT

Important Instructions. Please read first.

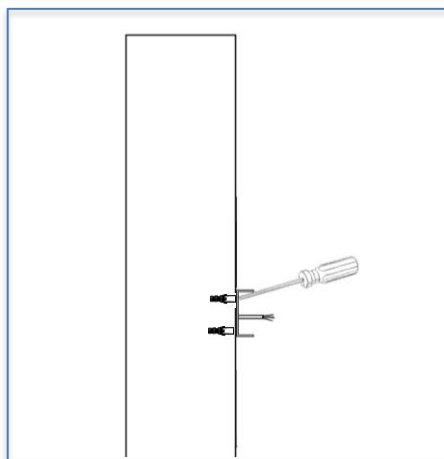
- Please follow instructions carefully. Failure to do so will void warranty. Please ensure installation complies with local law and applicable standards.
 1. Ensure correct input voltage is connected to the luminaire.
 2. Ensure the power is disconnected before making any connections.
 3. Do not make modification or alter the luminaire without written approval of GLP.
 4. Ensure to keep luminaire in a clean area free of debris.

INSTALLATION

- **Step 1:** Find the location where the luminaire has to be installed. Install suitable wiring from the main supply (220V-240V AC, 50/60Hz) to the luminaire.



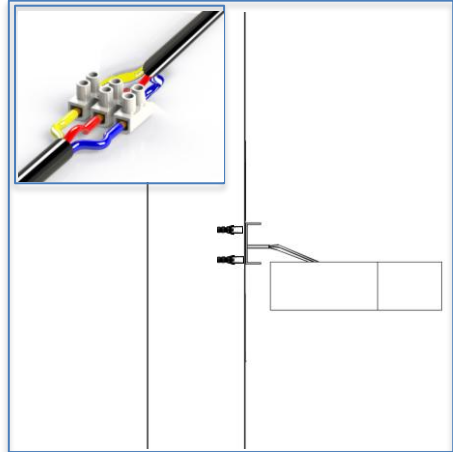
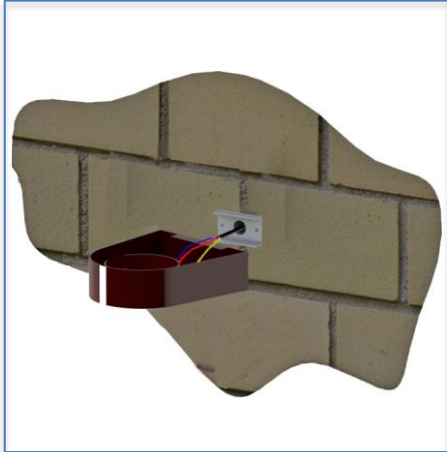
- **Step 2:** Mount the luminaire onto a hard surface using appropriate stainless steel screws as illustrated.



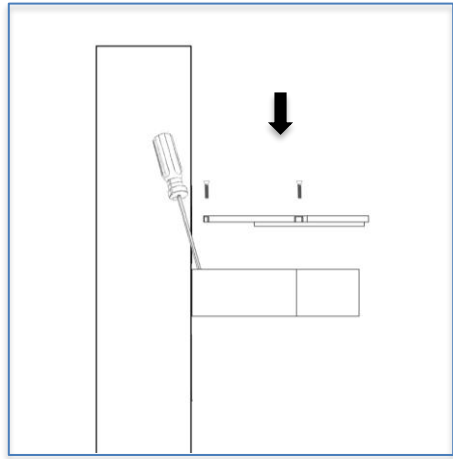
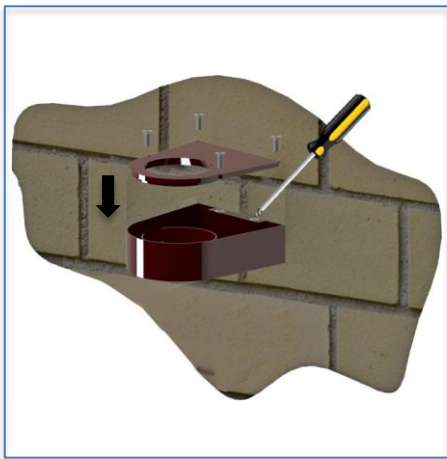
All the Installation and Maintenance must be done by Technicians and Professional Engineers



- **Step 3:** Connect the luminaire power cable to the main supply using terminal blocks or connectors. Wrap connectors or terminal blocks with electrical tape. Please make sure the earth (ground) wire is reliable as illustrated in **figure** .



- **Step 4:** Adjust the luminaire angle by allen key



Make sure the mains power is switched off during installations.

All the Installation and Maintenance must be done by Technicians and Professional Engineers