



## INSTALLATION INSTRUCTIONS

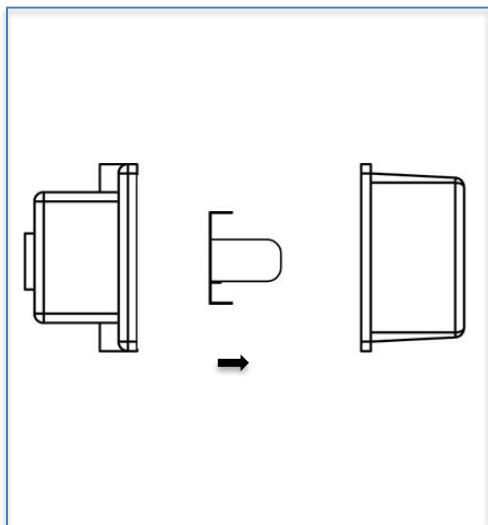
TU660036

### Important Instructions. Please read first.

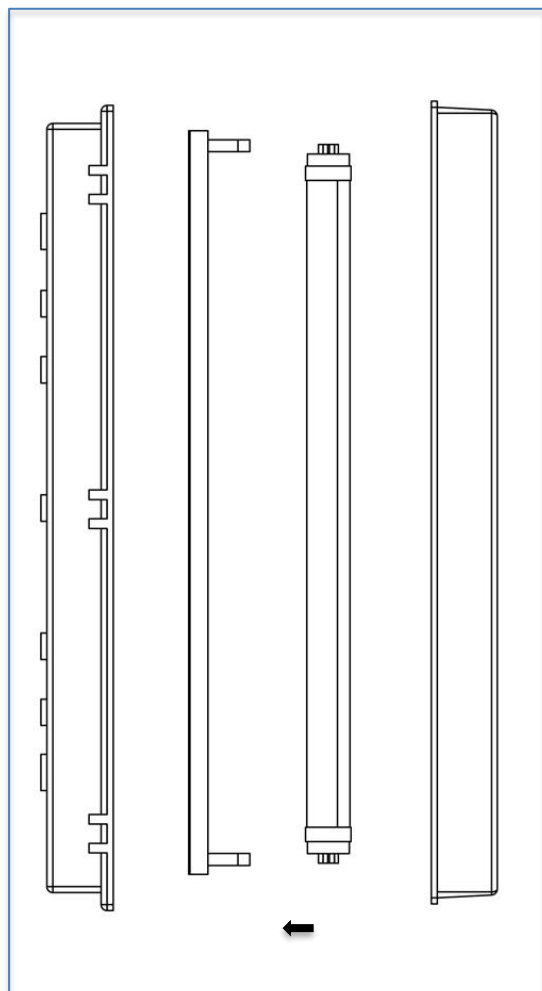
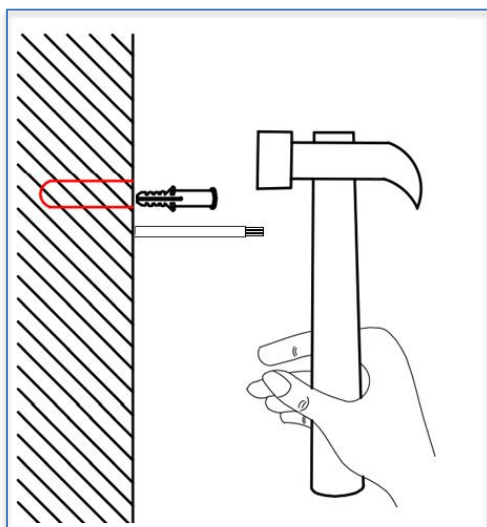
- Please follow instructions carefully. Failure to do so will void warranty. Please ensure installation complies with local law and applicable standards.
  1. Ensure correct input voltage is connected to the luminaire.
  2. Ensure the power is disconnected before making any connections.
  3. Do not make modification or alter the luminaire without written approval from GLP.
  4. Ensure to keep luminaire in a clean area free of debris.

## INSTALLATION

- **Step 1:** Find the location where the luminaire has to be installed. Install a suitable wiring from the main supply (180-250V AC, 50/60Hz) to the luminaire.
- **Step 2:** Open the diffuser and take off the tube holder plate.

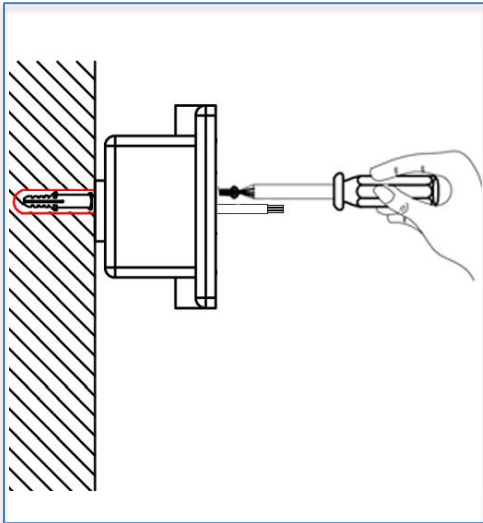


- **Step 3:** Drill holes for the provided fischers and fix them on the wall using hammer.

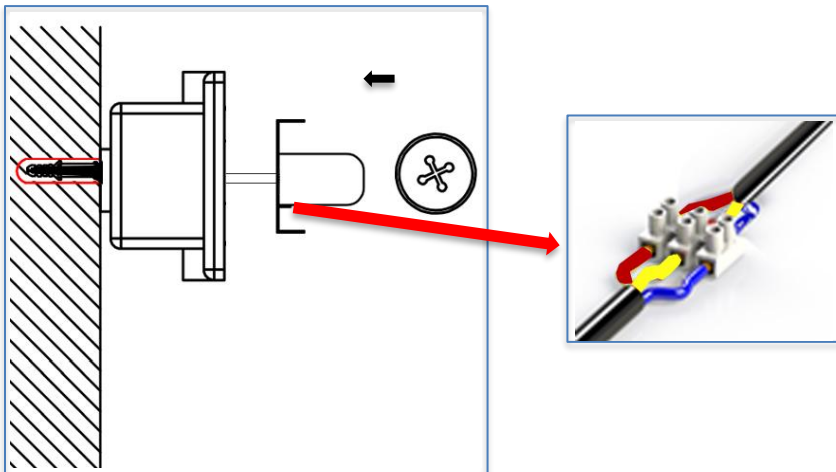




- **Step 4:** Fix the back part on the wall using screws.



- **Step 5:** Connect the main supply cable to the terminal block on the back side of the tube holder plate and fix the tube on the holder.



- **Step 6:** Fix the diffuser back properly using the clips provided.

