



INSTALLATION INSTRUCTIONS

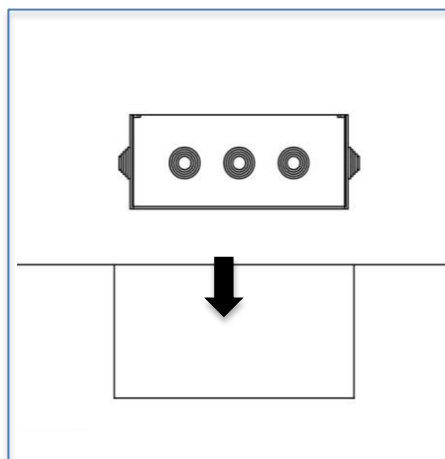
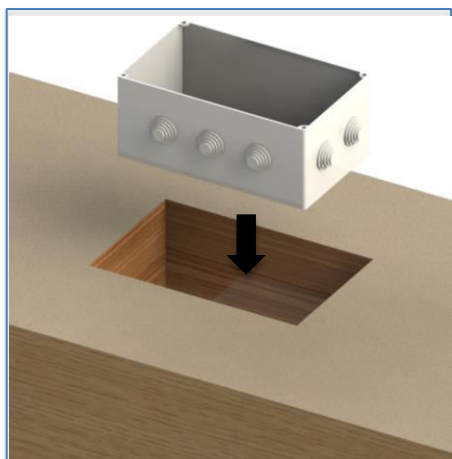
ST770020

Important Instructions. Please read first.

- Please follow instructions carefully. Failure to do so will void warranty. Please ensure installation complies with local law and applicable standards.
 1. Ensure correct input voltage is connected to the luminaire.
 2. Ensure the power is disconnected before making any connections.
 3. Do not make modification or alter the luminaire without written approval of GLP.
 4. Ensure to keep luminaire in a clean area free of debris.

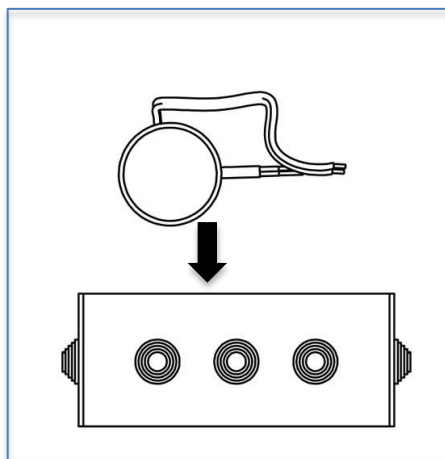
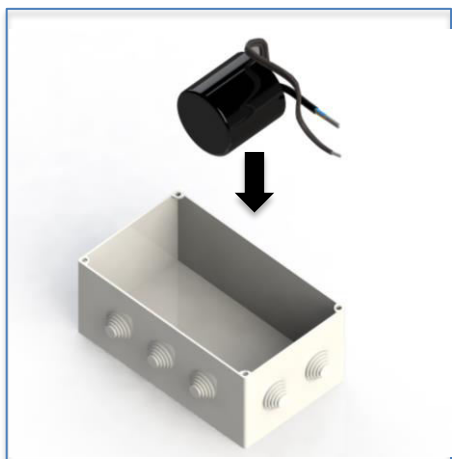
INSTALLATION

- **Step 1:** Place the waterproof junction box in the soil.



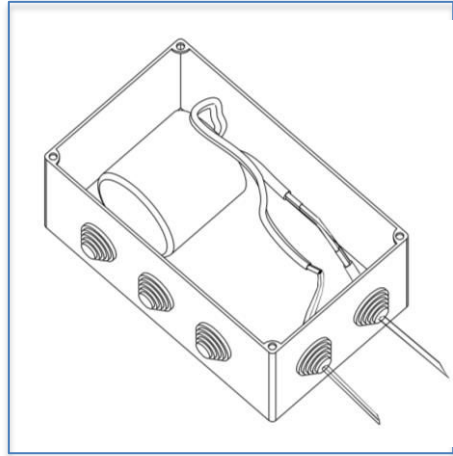
- **Step 2:** Place the individual magnetic transformer in the waterproof junction box.

Note: Make sure the main circuit breaker is turned OFF.,

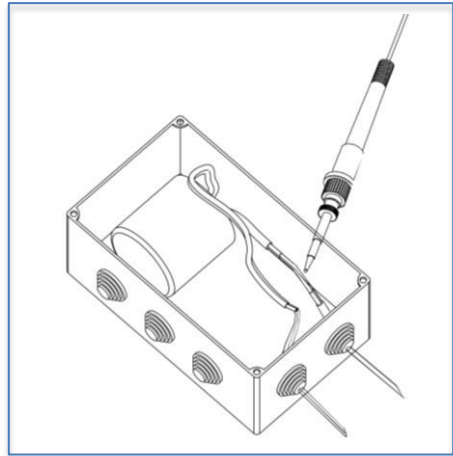
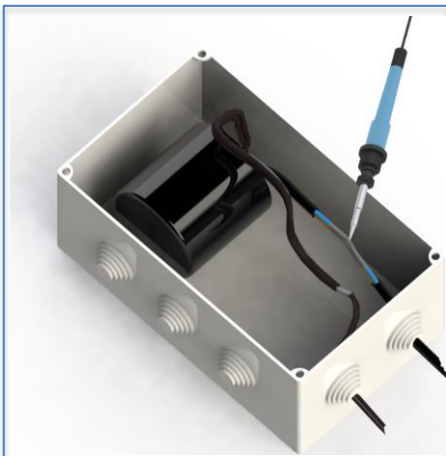




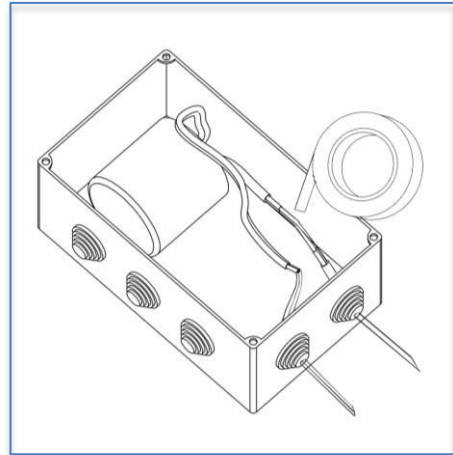
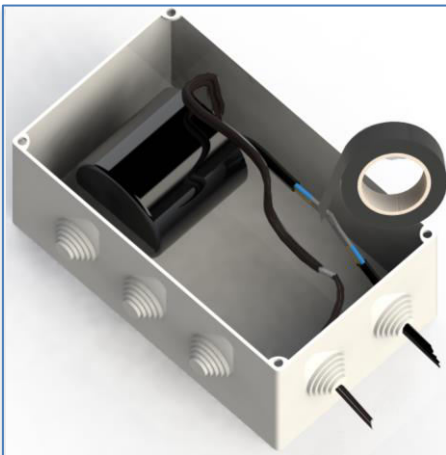
- **Step 3:** Connect the input wires from the fixture to the transformer.



- **Step 4:** Solder the connections.

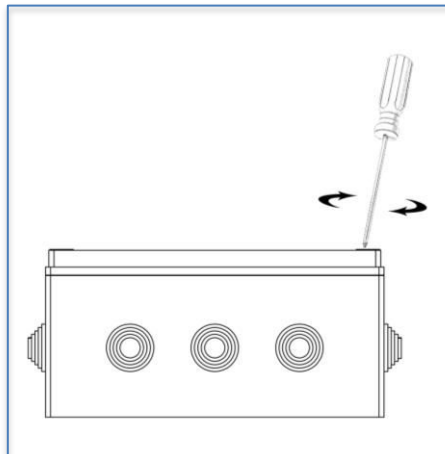
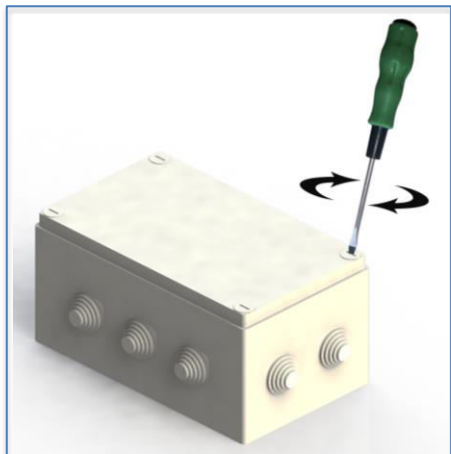


- **Step 5:** Wrap the connections using electrical tape..

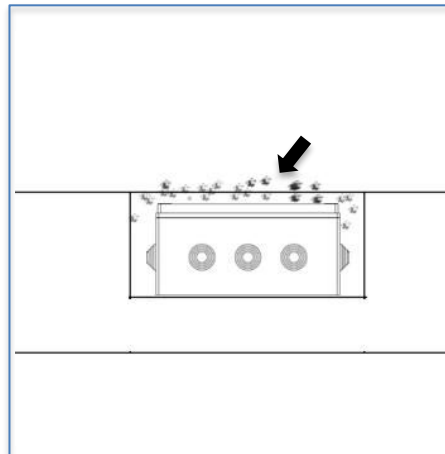
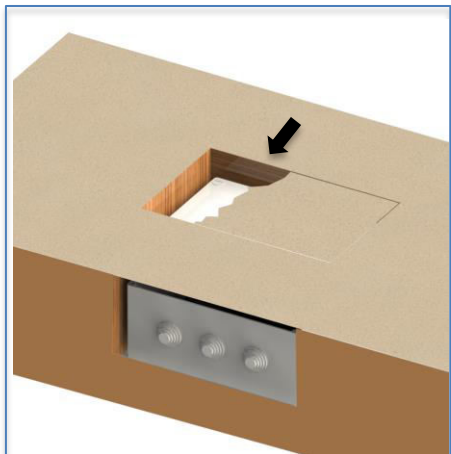




- **Step 7:** Tighten the lid screws properly using screwdriver.



- **Step 8:** Cover the waterproof junction box with soil.



Make sure the main power is switched off during installations.

All the Installation and Maintenance must be done by Technicians and Professional Engineers