



INSTALLATION INSTRUCTIONS

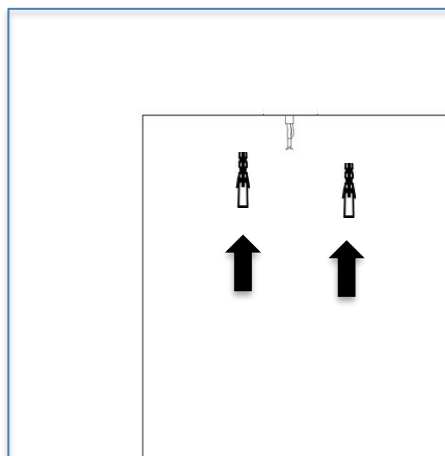
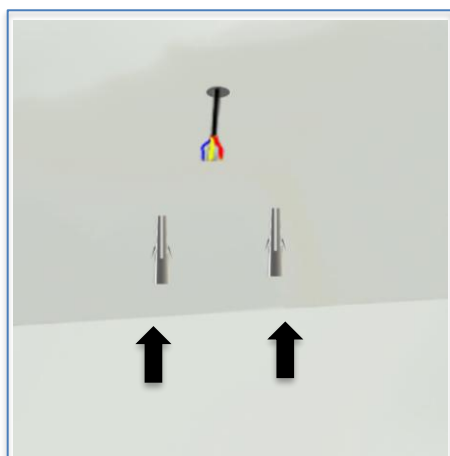
DL110381

Important Instructions. Please read first.

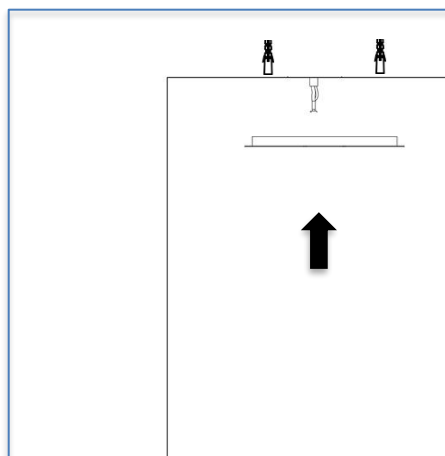
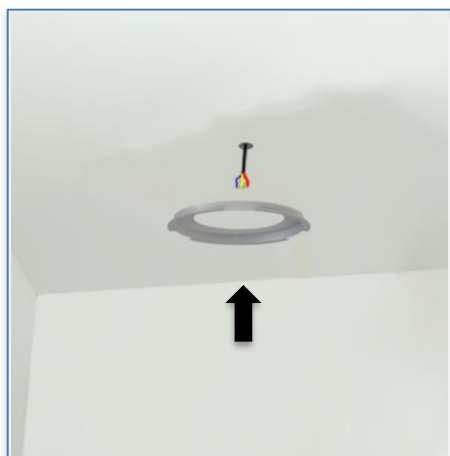
- **Please follow instructions carefully. Failure to do so will void warranty. Please ensure installation complies with local law and applicable standards.**
 1. Ensure correct input voltage is connected to the luminaire.
 2. Ensure the power is disconnected before making any connections.
 3. Do not make modification or alter the luminaire without written approval from GLP.
 4. Ensure to keep luminaire in a clean area free of debris.

INSTALLATION

- **Step 1:** Find the location where the luminaire has to be installed. Install a suitable wiring from the main supply (180-250V AC, 50/60Hz) to the luminaire.
- **Step 2:** Drill holes on the ceiling and fix provided fishers.



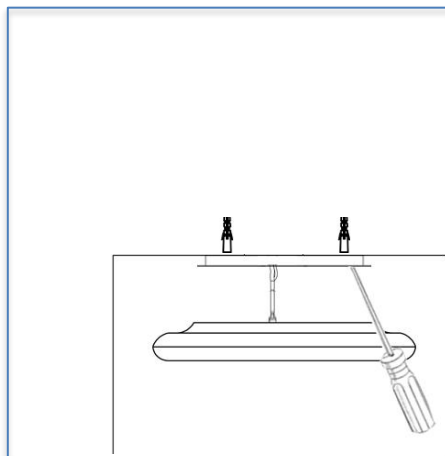
- **Step 3:** Install the mounting bracket on the ceiling.



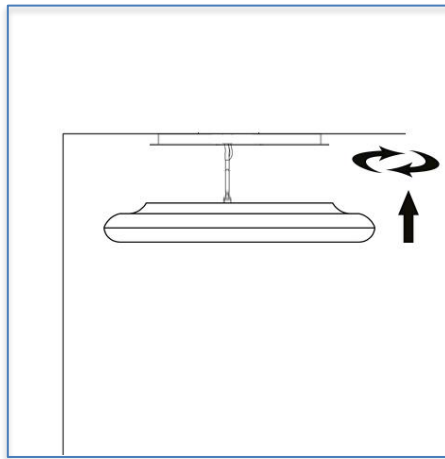
All the Installation and Maintenance must be done by Technicians and Professional Engineers



- **Step 4:** Connect the main supply to the luminaire terminal block.



- **Step 5:** Install the luminaire on the mounting bracket by rotating . Make sure the luminaire is fitted properly on the mounting bracket.



Make sure the main power is switched off during installations.

All the Installation and Maintenance must be done by Technicians and Professional Engineers