



INSTALLATION INSTRUCTIONS

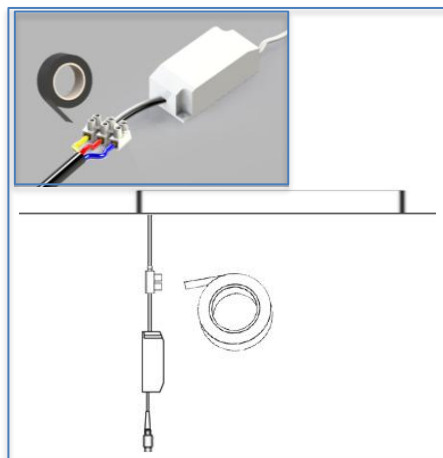
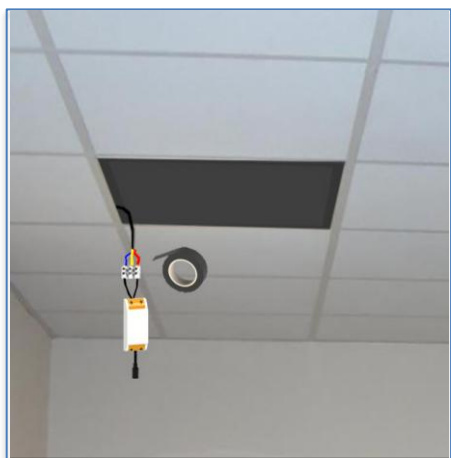
PA110196

Important Instructions. Please read first.

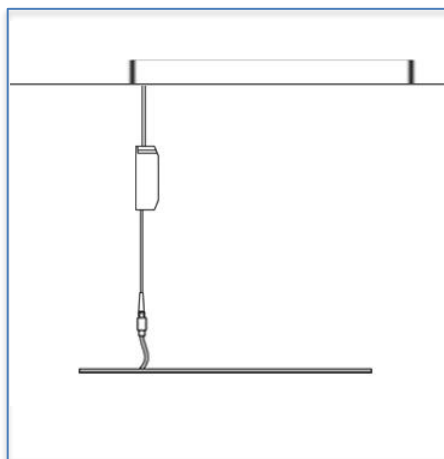
- Please follow instructions carefully. Failure to do so will void warranty. Please ensure installation complies with local law and applicable standards.
 1. Ensure correct input voltage is connected to the luminaire.
 2. Ensure the power is disconnected before making any connections.
 3. Do not make modification or alter the luminaire without written approval from GLP.
 4. Ensure to keep luminaire in a clean area free of debris.

INSTALLATION

- **Step 1:** Find the location where the luminaire has to be installed. Install a suitable wiring from the main supply (180-250V AC, 50/60Hz) to the luminaire.
- **Step 2:** Pull out main supply cable from the T- bar ceiling and connect it to the driver input side. Wrap the connection using electrical tape.



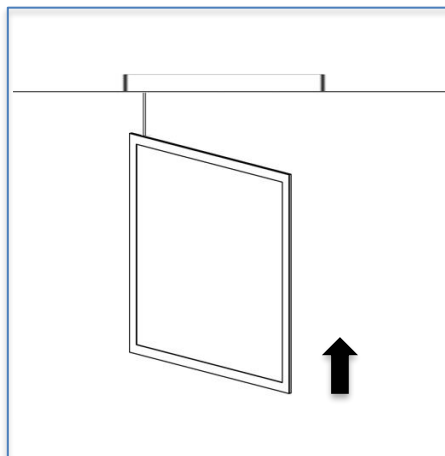
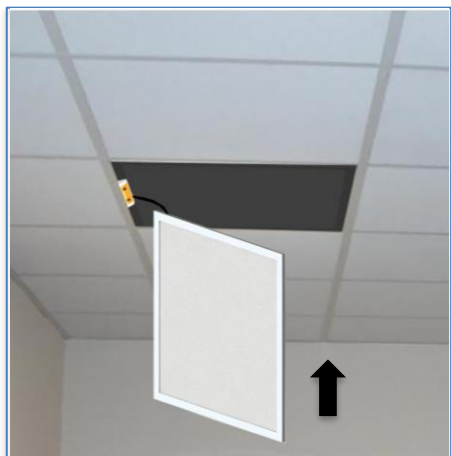
- **Step 3:** Connect the driver output connector to the panel input connector.



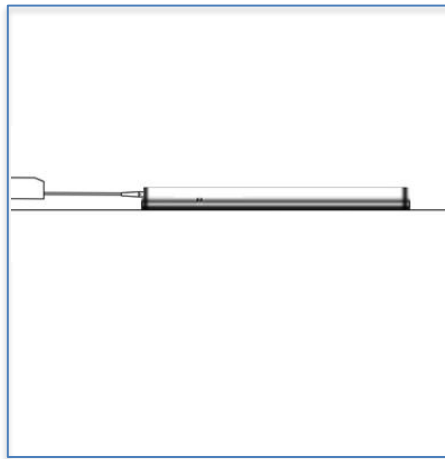
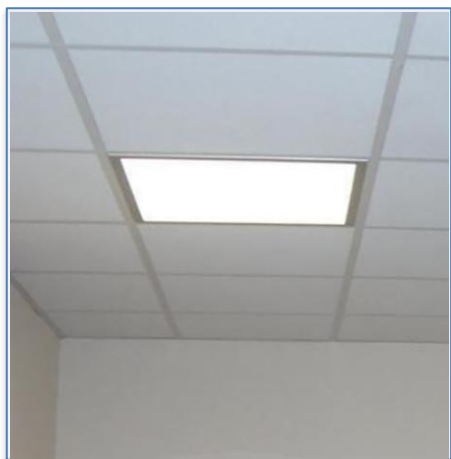
All the Installation and Maintenance must be done by Technicians and Professional Engineers



- **Step 4:** Insert the luminaire on the ceiling by tilt.



- **Step 5:** Make sure the luminaire is placed properly on the gypsum ceiling.



Make sure the main power is switched off during installations.

All the Installation and Maintenance must be done by Technicians and Professional Engineers