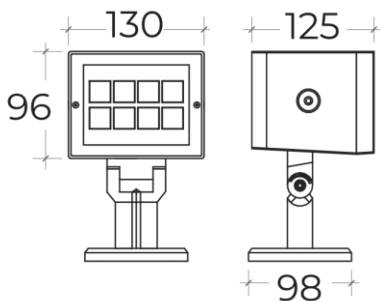




NURU-FL440174

25W FLOOD LIGHT



PRODUCT SPECIFICATIONS

Fixture Material	Die-cast Aluminium
Fixture Finish	Architectural Black
Glass	High intensity Tempered Glass
Optic	High Temperature Japanese acrylic
Driver	Built-in
Binning	3 Step MacAdam
Wiring	1 meter of 3 core 0.75mm ² rubber cable
Life Span	50,000 hours

LED Chip	CREE
Power Consumption	25W
Input Voltage	180~240V AC, 50/60Hz
Operating Temperature	from -20° to 65° C
Color Rendering Index	>85
Driver Protection	Short Circuit
Warranty	3 years against manufacturing defects
Agency Approval	CE, RoHS



Power (W)	Available color Temperatures	LED Chip Lumen Efficacy			IP Rating	Available Beam Angles
		3000K	4000K	6000K		
25W	2700K 3000K 4000K 6000K RGB	110lm/W	120lm/W	130lm/W	66	10° 15° 25° 45° 40°x12° 60°x12° 60°x60°

Standard option.

Non-standard products may be subject to MOQ. Contact your regional sales representative for more information.