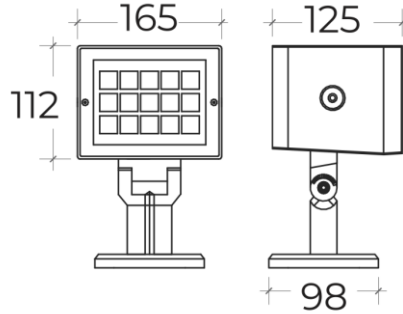




NURU-FL440044

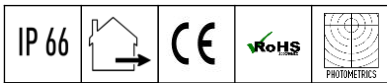
40W FLOOD LIGHT



PRODUCT SPECIFICATIONS

Fixture Material	Die-cast Aluminium
Fixture Finish	Architectural black
Glass	High intensity Tempered Glass
Optic	High temperature Japanese acrylic
Driver	Built-in
Binning:	3 Step MacAdam
Wiring	90 Centimeter of 3 core 0.75mm ² rubber cable
Life Span	50,000 hours

LED Chip	CREE
Power Consumption	40W
Input Voltage	180~240V AC, 50/60Hz
Operating Temperature	from -20° to 65° C
Color Rendering Index	>85
Driver Protection	Short Circuit
Warranty	3 years against manufacturing defects
Agency Approval	CE, RoHS



Power (W)	Available color Temperatures	Luminous Flux			IP Rating	Available Beam Angles
		3000K	4000K	6000K		
40W	2700K 3000K 4000K 6000K RGB	110lm/W	120lm/W	130lm/W	66	10° 15° 25° 45° 40°x12° 60°x12° 60°x60°

Standard option.

Non-standard products may be subject to MOQ. Contact your regional sales representative for more information.