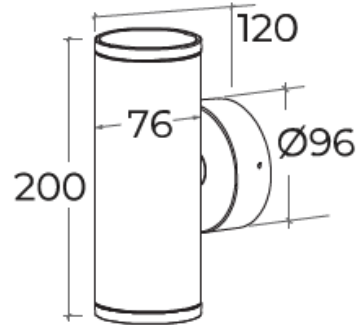


NANNA-WL220735

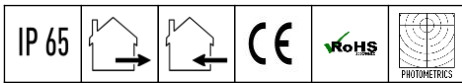
20W UP AND DOWN ROUND WALL SCONCE



PRODUCT SPECIFICATIONS

Fixture Material	Die-cast Aluminum
Fixture Finish	Powder-coated Black
Glass	Clear Glass
Reflector	Polycarbonate with aluminum coating
Driver	Built-in
Binning	3 Step MacAdam
Wiring	Attached wiring compartment
Life Span	50,000 hours

LED Chip	CREE COB
Power Consumption	20W
Input Voltage	180~240V AC, 50/60Hz
Operating Temperature	from -20° to 65° C
Color Rendering Index	≥85
Driver Protection	Short circuit
Warranty	3 years against manufacturing defects
Agency Approval	CE, RoHS



Power (W)	Available color Temperatures	Luminous Flux			IP Rating	Available Beam Angles
		3000K	4000K	6000K		
20W	2700K 3000K 4000K 5000K	80lm/W	85lm/W	90lm/W	65	15° 36° 60°

Standard option.

Non-standard products may be subject to MOQ. Contact your regional sales representative for more information.