



## GENERAL INSTALLATION INSTRUCTIONS

## 6W Wall Sconces (WL220379)

### Important Instructions for wall mounted Sconces. Please read first.

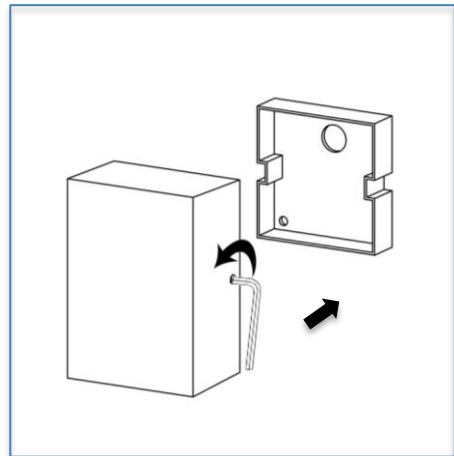
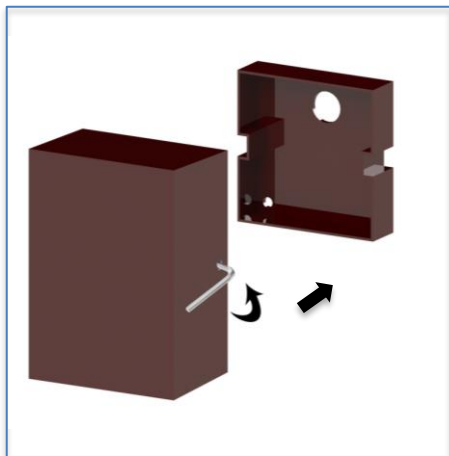
- Please follow instructions carefully. Failure to do so will void the warranty. Please ensure installation complies with local law and applicable standards.

1. Ensure correct input voltage is supplied to the luminaire.
2. Ensure the power is disconnected before making any connections.
3. Do not make modification nor alter the luminaire without written approval from GLP.
4. Installation Instructions apply to all GLP 6W Wall Sconces.

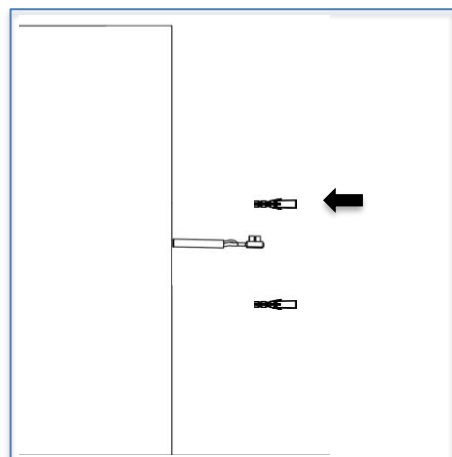


### INSTALLATION

- **Step 1:** Find a location where the luminaire has to be installed. Install suitable wiring from the main supply (180V-250V AC, 50/60Hz) to the luminaire location.
- **Step 2:** Unscrew and remove the mounting bracket of the luminaire using provided Allen Key.



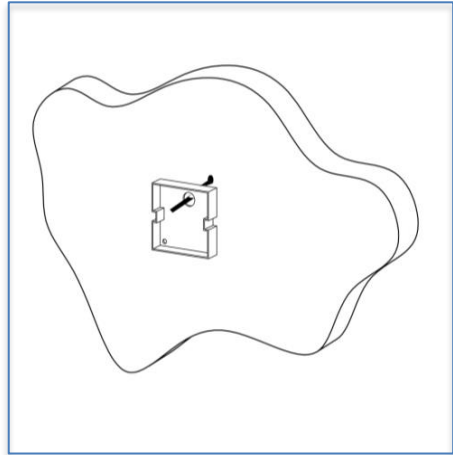
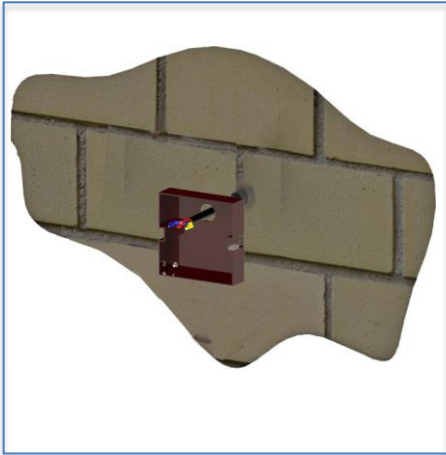
- **Step 3:** Drill holes on the wall and fix the provided fishers as per dimensions of the mounting bracket.



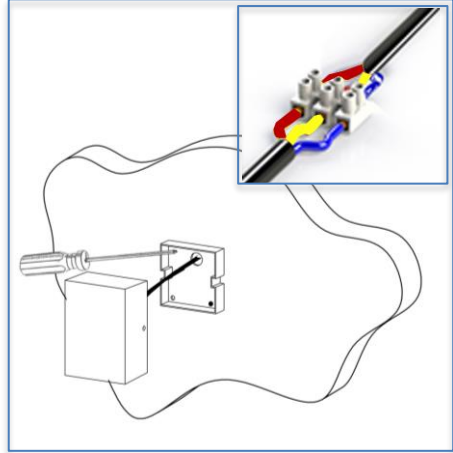
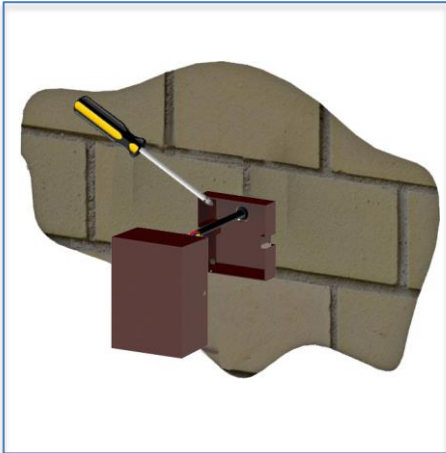
All the Installation and Maintenance must be done by Technicians and Professional Engineers



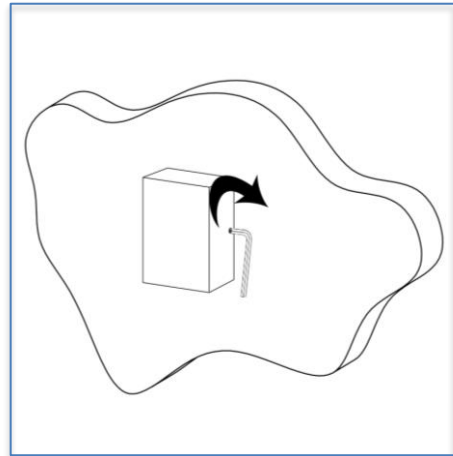
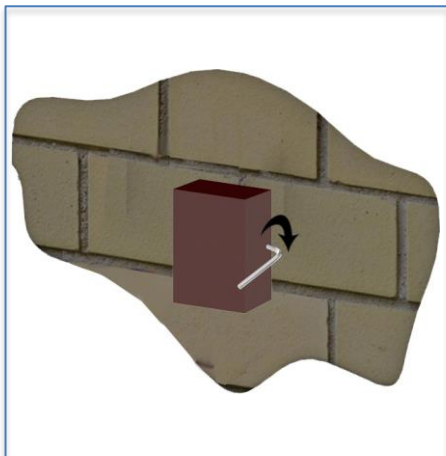
- **Step 4:** Pull in the main cable through the back cover.



- **Step 5:** Mount the bracket firmly on the wall using screws and Connect the main cable to the luminaire.



- **Step 6:** Fix the luminaire back on the mounting bracket using the existing screws and Allen Key.



Make sure the main power is switched off during installation.

All the Installation and Maintenance must be done by Technicians and Professional Engineers