

## INSTALLATION INSTRUCTIONS

TL111257 and TL111258

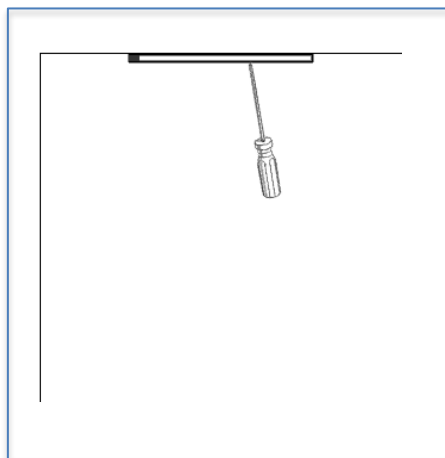
### Important Instructions. Please read first.

- Please follow instructions carefully. Failure to do so will void warranty. Please ensure installation complies with local law and applicable standards.
  1. Ensure correct input voltage is connected to the luminaire.
  2. Ensure the power is disconnected before making any connections.
  3. Do not make modification or alter the luminaire without written approval from GLP.
  4. Ensure to keep luminaire in a clean area free of debris.

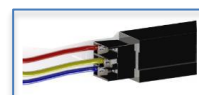
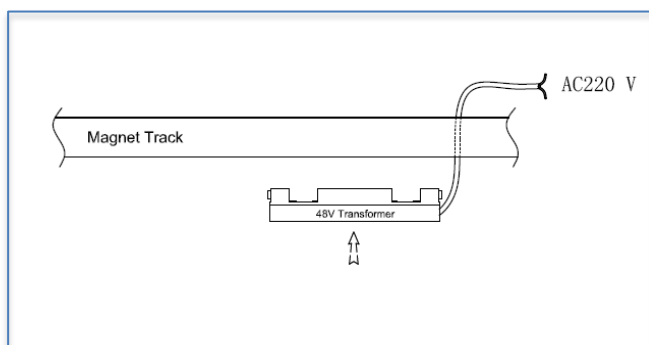


### INSTALLATION

- **Step 1:** Find the location where the luminaire has to be installed. Install a suitable wiring from the main supply (220-240V AC, 50/60Hz) to the luminaire transformer. Please make sure the earth (ground) wire is reliable. Fix the rail of the luminaire firmly on the wall/ceiling to the required area using appropriate screws.

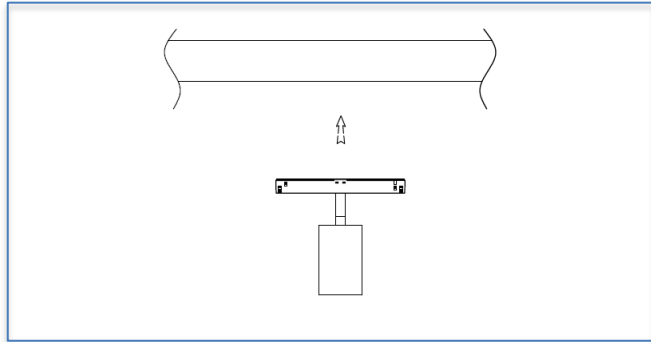


- **Step 2:** Open the cover of rail input area. Firmly press the 48VDC transformer into the magnetic track rail until it is securely fixed. Connect the mains supply wire to the 48VDC transformer/feeder rail input area. **Important:** Do **not** connect 220V directly to the magnetic trail rail.

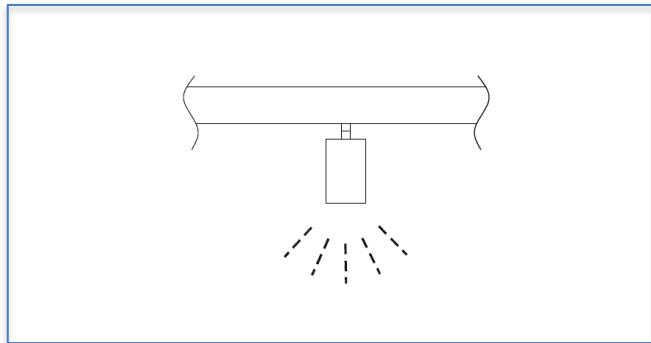


All the Installation and Maintenance must be done by Technicians and Professional Engineers

**Step 3:** Position the light onto the track and press it down completely, ensuring it is fully seated and properly fixed.



**Step 4:** Turn the main circuit breaker ON and Switch on the track power and verify that the lights are functioning correctly.



Make sure the main power is  
switched off during installations.

**All the Installation and Maintenance must be done by Technicians and Professional Engineers**