



INSTALLATION INSTRUCTIONS

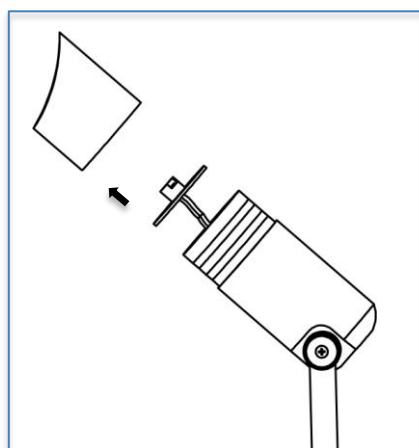
MR660150

Important Instructions. Please read first.

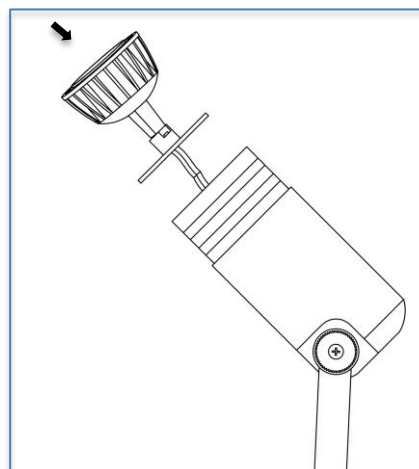
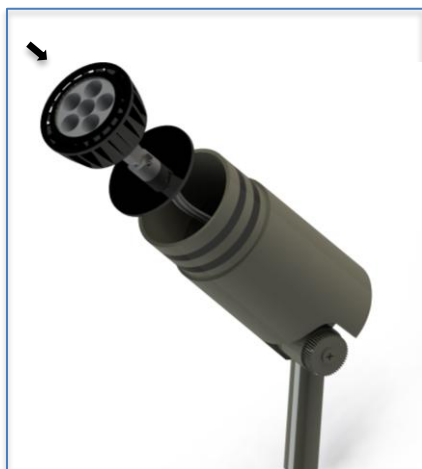
- Please follow instructions carefully. Failure to do so will void warranty. Please ensure installation complies with local law and applicable standards.
 1. Only use a GLP power supply unit.
 2. Ensure correct input voltage is connected to the luminaire.
 3. Ensure the power is disconnected before making any connections.
 4. Do not make modification or alter the luminaire without written approval from GLP.
 5. Ensure to keep luminaire in a clean area free of debris.

INSTALLATION

- **Step 1:** Find the location where the luminaire has to be installed. Install a suitable wiring from the power supply (12VAC) to the luminaire.
- **Step 2:** Remove the luminaire front cover and pull out the lamp holder.



- **Step 3:** Fit the MR16 lamp properly on the holder.





- **Step 4:** Put the front cover back properly.

