



## INSTALLATION INSTRUCTIONS

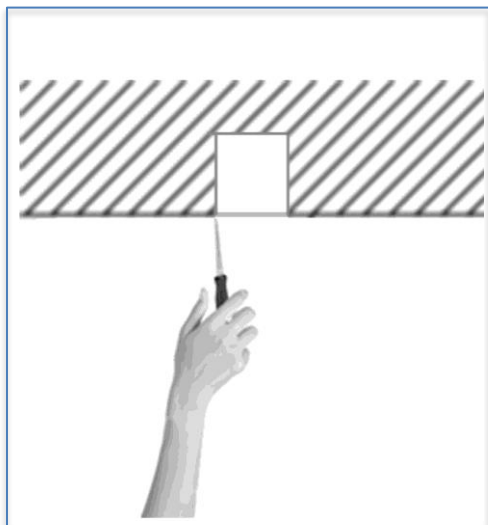
MR660107

### Important Instructions. Please read first.

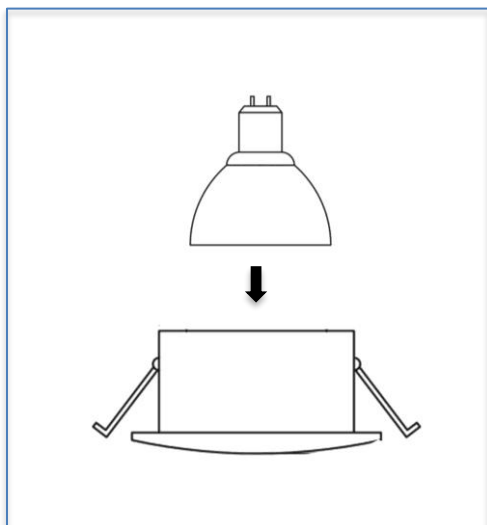
- Please follow instructions carefully. Failure to do so will void warranty. Please ensure installation complies with local law and applicable standards.
  1. Ensure correct input voltage is connected to the luminaire.
  2. Ensure the power is disconnected before making any connections.
  3. Do not make modification or alter the luminaire without written approval from GLP.
  4. Ensure to keep luminaire in a clean area free of debris.

## INSTALLATION

- **Step 1:** Find the location where the luminaire has to be installed. Install a suitable wiring from the main supply (180-250V AC, 50/60Hz) to the luminaire.
- **Step 2:** Make the cutout on the ceiling as per the luminaire cut size.

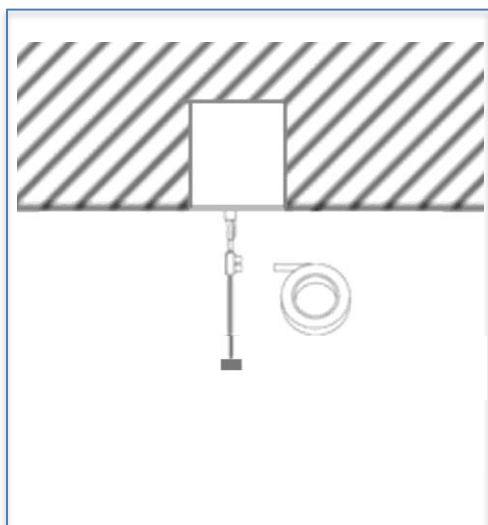


- **Step 3:** Fix the MR16 lamp inside the frame.

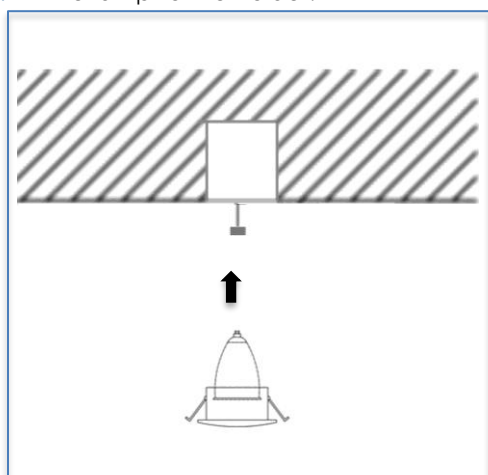




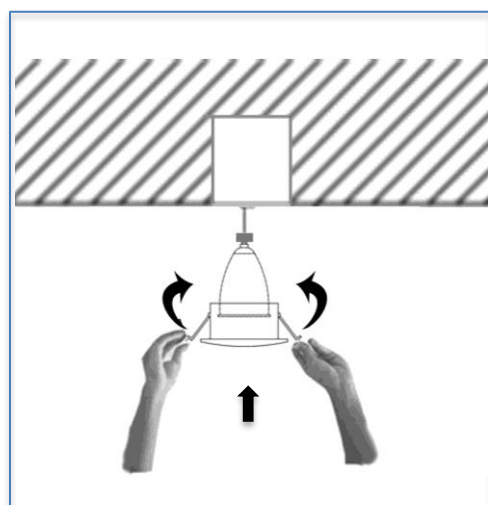
- **Step 4:** Connect the main supply to the GU10 holder using terminal blocks or connectors . Wrap the connection using electrical tape.



- **Step 5:** Fix the lamp to the holder.



- **Step 6:** Install the luminaire on the ceiling.



All the Installation and Maintenance must be done by Technicians and Professional Engineers