



INSTALLATION INSTRUCTIONS

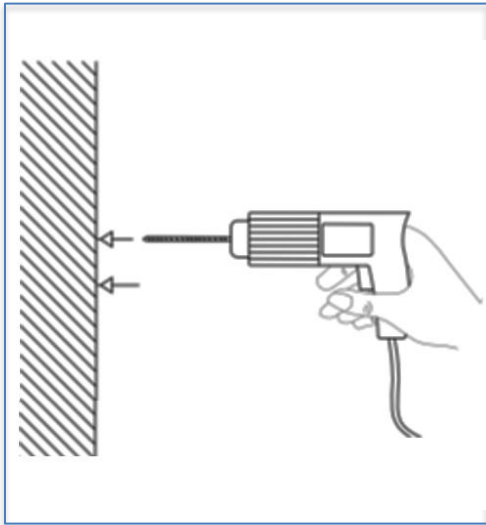
LP110695

Important Instructions. Please read first.

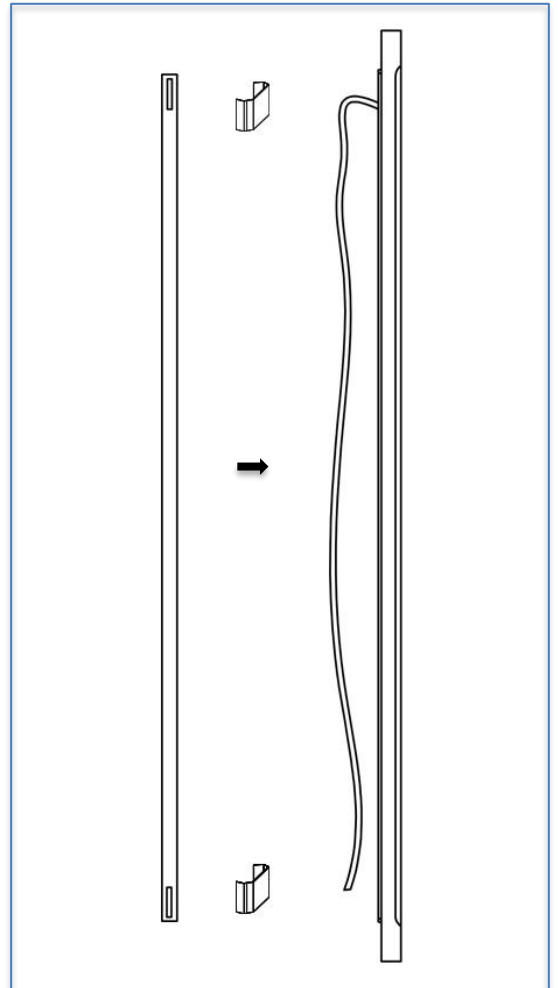
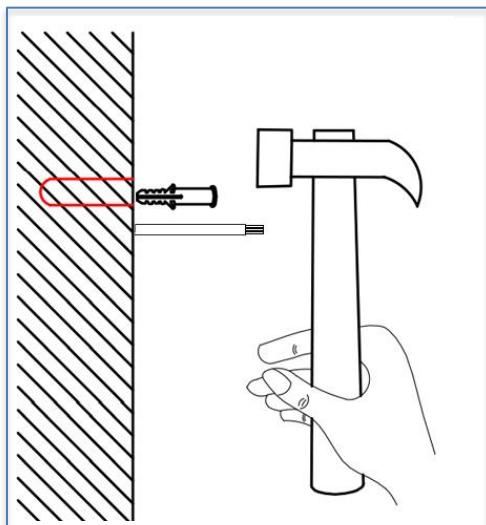
- Please follow instructions carefully. Failure to do so will void warranty. Please ensure installation complies with local law and applicable standards.
 1. Ensure correct input voltage is connected to the luminaire.
 2. Ensure the power is disconnected before making any connections.
 3. Do not make modification or alter the luminaire without written approval from GLP.
 4. Ensure to keep luminaire in a clean area free of debris.

INSTALLATION

- **Step 1:** Find the location where the luminaire has to be installed. Install a suitable wiring from the main supply (180-250V AC, 50/60Hz) to the luminaire.
- **Step 2:** Drill hole on the wall for the fishers.

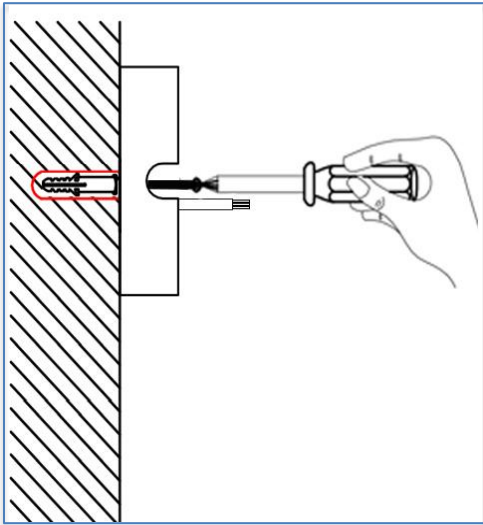


- **Step 3:** Fix the fishers in the holes using hammer.

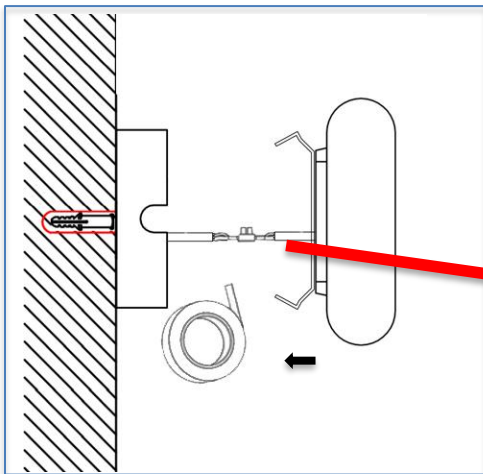




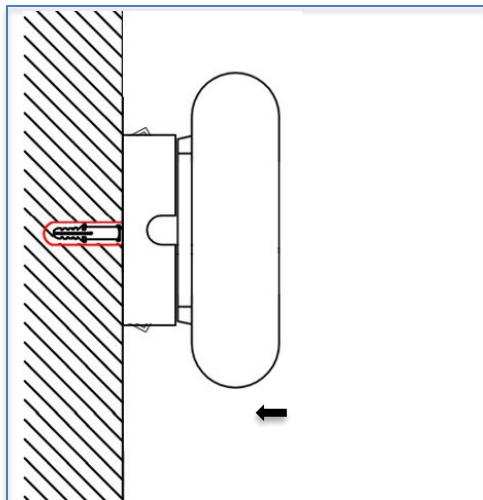
- **Step 4:** Fix the mounting bracket on the wall using screws.



- **Step 5:** Connect the main supply cable to the luminaire using terminal block or connector. Wrap the Connections using electrical tape.



- **Step 6:** Fix the luminaire on the mounting bracket by pressing the clamp attached on luminaire to it. Make sure the clamp has properly anchored the channel.



All the Installation and Maintenance must be done by Technicians and Professional Engineers