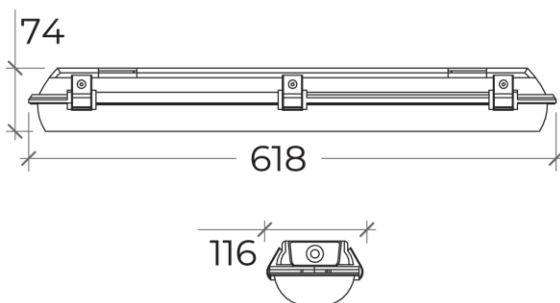




## LIGERO-FX110596

### 20W SURFACE MOUNTED BATTEN LIGHT



### PRODUCT SPECIFICATIONS

|                  |                                    |
|------------------|------------------------------------|
| Fixture Material | Polycarbonate                      |
| Fixture Finish   | Material Gray                      |
| Diffuser         | UV resistant Frosted polycarbonate |
| Driver           | Built-in                           |
| Binning          | 3 Step MacAdam                     |
| Life Span        | 50,000 hours                       |

|                       |                                       |
|-----------------------|---------------------------------------|
| LED Chip              | CREE                                  |
| Power Consumption     | 20W                                   |
| Input Voltage         | 180~240VAC, 50/60Hz                   |
| Operating Temperature | from -20° to 50° C                    |
| Color Rendering Index | >85                                   |
| Warranty              | 5 years against manufacturing defects |
| Agency Approval       | CE, RoHS                              |
| Weight                | 1600g                                 |



| Power (W) | Available color Temperatures     | LED Chip Lumen Efficacy |         |         | Power Factor | Available Beam Angles |
|-----------|----------------------------------|-------------------------|---------|---------|--------------|-----------------------|
|           |                                  | 3000K                   | 4000K   | 6000K   |              |                       |
| 20W       | 2700K<br>3000K<br>4000K<br>6000K | 110lm/W                 | 120lm/W | 130lm/W | > 0.8        | 120°                  |

#### Standard option.

Non-standard products may be subject to MOQ. Contact your regional sales representative for more information.