



INSTALLATION INSTRUCTIONS

WS220074

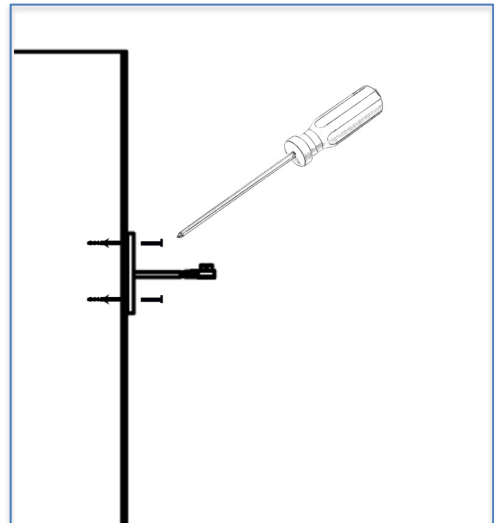
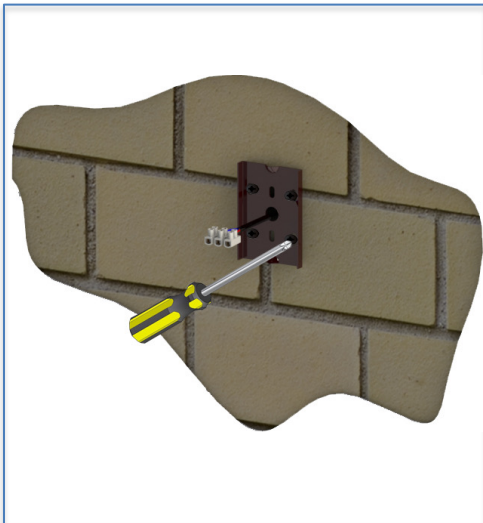
Important Instructions. Please read first.

- Please follow instructions carefully. Failure to do so will void warranty. Please ensure installation complies with local law and applicable standards.
 1. Only use a GLP power supply unit.
 2. Ensure correct input voltage is connected to the luminaire.
 3. Ensure the power is disconnected before making any connections.
 4. Do not make modification or alter the luminaire without written approval of GLP.
 5. Ensure to keep luminaire in a clean area free of debris.

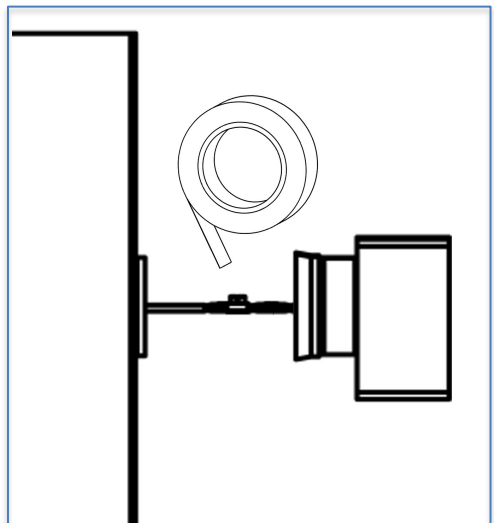
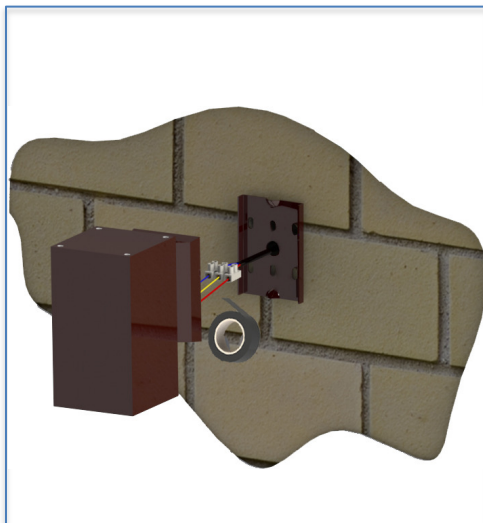


INSTALLATION

- **Step 1:** Find the location where the luminaire has to be installed. Install suitable wiring from the mains supply (220V-240V AC, 50/60Hz) to the luminaire.
- **Step 2:** Remove the wall bracket from the luminaire and fix the wall bracket of the luminaire firmly to the wall as illustrated .

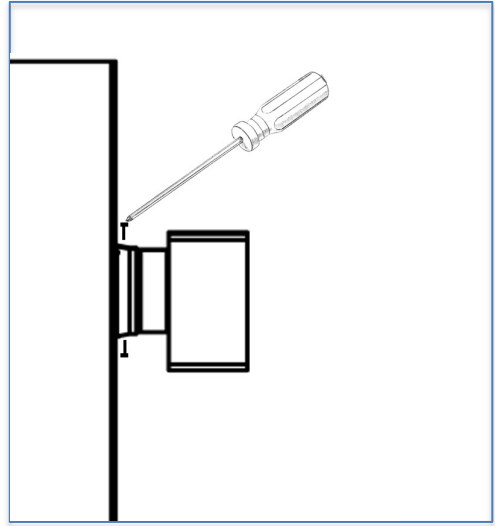
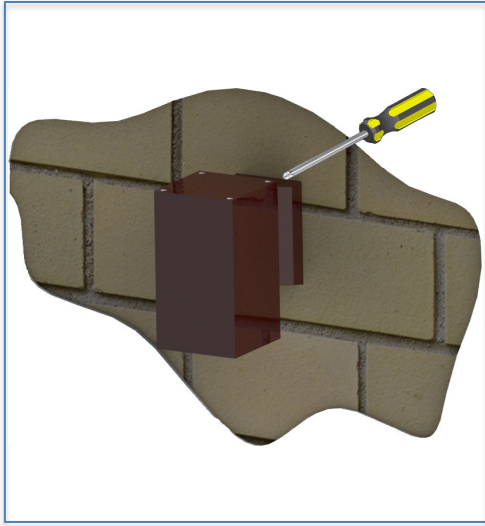


- **Step 3:** Connect the luminaire power cable to the mains supply using terminal blocks or connectors. Wrap connectors or terminal blocks with electrical tape. Please make sure the earth (ground) wire is reliable as illustrated

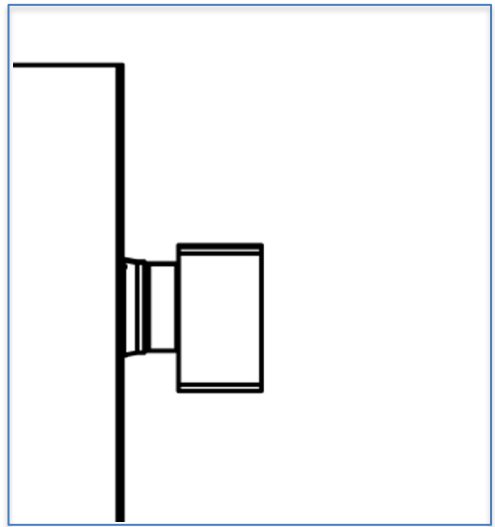
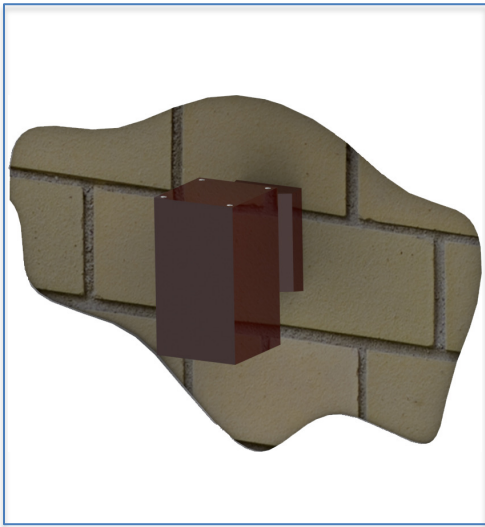




- **Step 4:** Install the luminaire body to the wall bracket of the luminaire and make sure the screws are tightened properly as illustrated.



- **Step 5:** Turn the main circuit breaker ON and make sure the lights are working.



Make sure the main power is switched off during installation.

All the Installation and Maintenance must be done by Technicians and Professional Engineers

