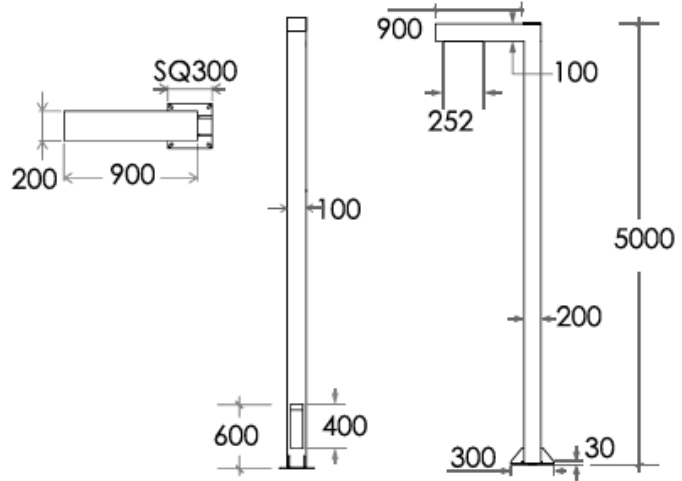




KOUKI-PL550156

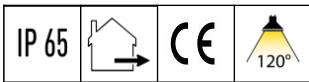
60W SINGLE HEAD POLE LIGHT



PRODUCT SPECIFICATIONS

Pole Material	Die-cast Aluminium
Pole Finish	Powder-coated Gray
Glass	Clear polycarbonate
Binning	3 Step MacAdam
Life Span	50,000 hours

Power Consumption	60W
LED Chip	LUMILEDS
Input Voltage	180~240V AC, 50/60Hz
Pole Height	3 meters
Operating Temperature	from -20° to 65° C
Color Rendering Index	>85
Driver Protection	Short circuit
Warranty	3 years against manufacturing defects
Agency Approval	CE



Power (W)	Available color Temperatures	Luminous Flux			IP Rating	Available Beam Angles
		3000K	4000K	6000K		
60W	2700K 3000K 4000K 6000K	110lm/W	120lm/W	130lm/W	65	120°

Standard option.

Non-standard products may be subject to MOQ. Contact your regional sales representative for more information.