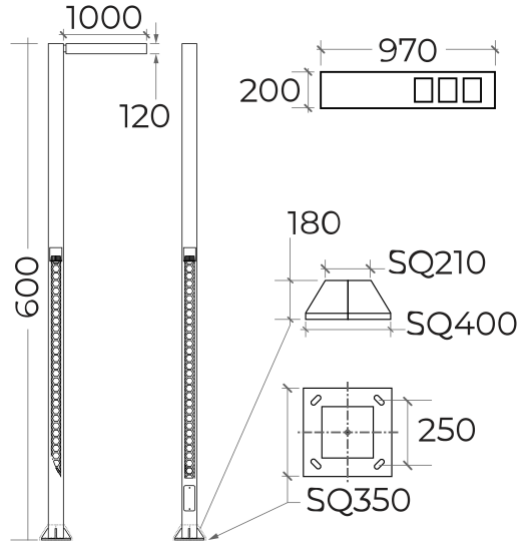




## KOUKI- PL550153

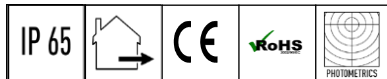
### 60W POLE LIGHT



### PRODUCT SPECIFICATIONS

Pole Material	Q235 HDG Steel
Pole Finish	Powder Coated Black
Lens	Clear optical lens
Driver	Built-in
Binning	3 Step MacAdam
Wiring	1 meter of 3 core 1.5 mm <sup>2</sup> rubber cable
Life Span	50,000 hours

LED Chip	CREE
Power Consumption	60W Top & 30W Bottom
Input Voltage	180~240V AC, 50/60Hz
Available Pole Sizes	4m, 6m & 8m
Operating Temperature	from -20° to 65° C
Color Rendering Index	>85
Driver Protection	Short circuit
Warranty	3 years against manufacturing defects
Agency Approval	CE, RoHS



Power (W)	Available color Temperatures	Luminous Flux			IP Rating	Available Beam Angles
		3000K	4000K	6000K		
60W Top & 30W Bottom	2700K 3000K 4000K 6000K	100lm/W	110lm/W	120lm/W	65	10° 35° 60°

#### Standard option.

Non-standard products may be subject to MOQ. Contact your regional sales representative for more information.