

Important Instructions. Please read first.

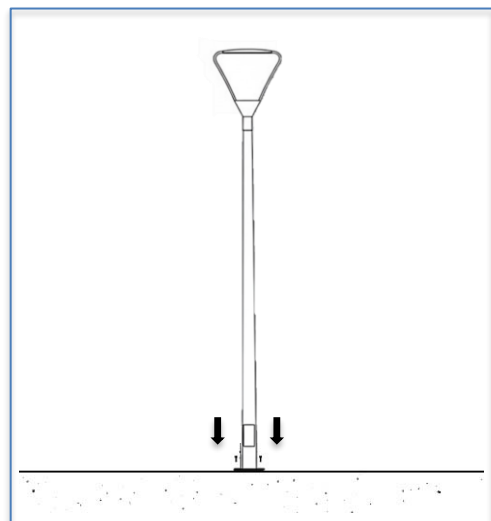
- **Please follow instructions carefully. Failure to do so will void warranty. Please ensure installation complies with local law and applicable standards.**
 1. Only use a GLP power supply unit.
 2. Ensure correct input voltage is connected to the luminaire.
 3. Ensure the power is disconnected before making any connections.
 4. Do not make modification or alter the luminaire without written approval of GLP.
 5. Ensure to keep luminaire in a clean area free of debris.

INSTALLATION

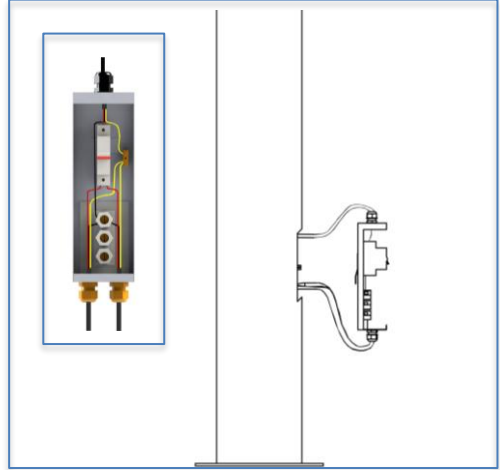
- **Step 1:** Find the location where the luminaire has to be installed. Install a suitable wiring from the power supply and prepare the concrete foundation and anchor bolts as per the foundation drawings provided by GLP.
- **Step 2:** While pole is on the ground, mount the luminaire onto the pole and push the wire through. Make sure the Head is secured tightly with provided screws.



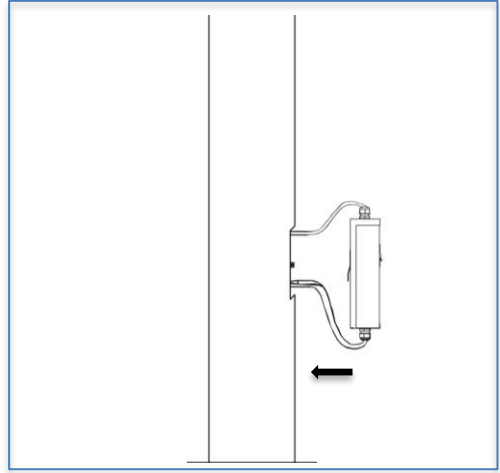
- **Step 3:** Run suitable wire from the main supply (180-250VAC, 50/60Hz) to the pole base. Make sure L- bolts to be installed in advance, before fixing the pole. Also keep the main cable extended 1m from the base.
- **Step 4:** Place the pole light into the L-bolts and tighten it properly using the provided nuts.



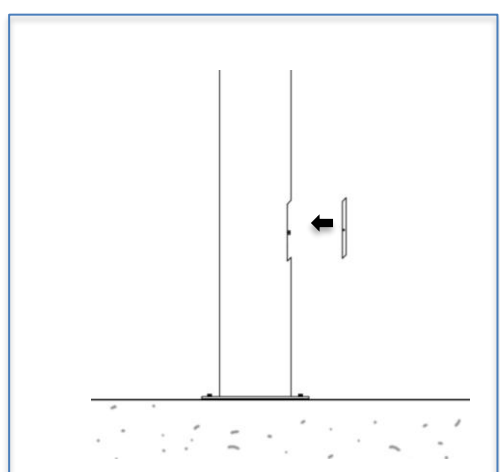
- **Step 5:** Keep all the connections inside the electrical compartment as illustrated. Please make sure the earth wire is reliable.



- **Step 6:** Close the cover of the electrical compartment. Keep the electrical compartment properly in its position.



- **Step 7:** Close the electrical compartment access cover properly.



For illustrative purposes only; product appearance may differ

All the Installation and Maintenance must be done by Technicians and Professional Engineers