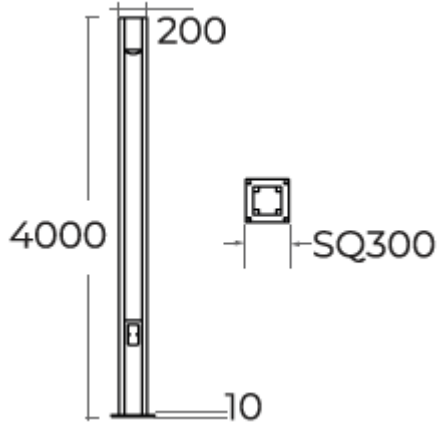
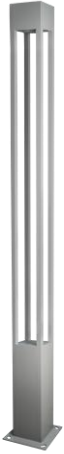




KOUKI-PL550046

40W POLE LIGHT



PRODUCT SPECIFICATIONS

Fixture Material	Die-cast Aluminium
Fixture Finish	Powder-coated grey
Lens	Clear Optical Lens
Glass	Clear UV resistant polycarbonate
Driver	Built-in
Binning	3 Step MacAdam
Wiring	1 meter of 3 core 1.5 mm ² rubber cable
Life Span	50,000 hours

LED Chip	CREE
Power Consumption	40W
Input Voltage	180~240V AC, 50/60Hz
Pole Height	2.5m to 6m
Operating Temperature	from -20° to 65° C
Color Rendering Index	>85
Driver Protection	Short circuit
Warranty	3 years against manufacturing defects
Agency Approval	CE, RoHS



Power (W)	Available color Temperatures	Luminous Flux			IP Rating	Available Beam Angles
		3000K	4000K	6000K		
40W	2700K 3000K 4000K 6000K	110lm/W	120lm/W	130lm/W	65	120°

Standard option.

Non-standard products may be subject to MOQ. Contact your regional sales representative for more information.