



INSTALLATION INSTRUCTIONS

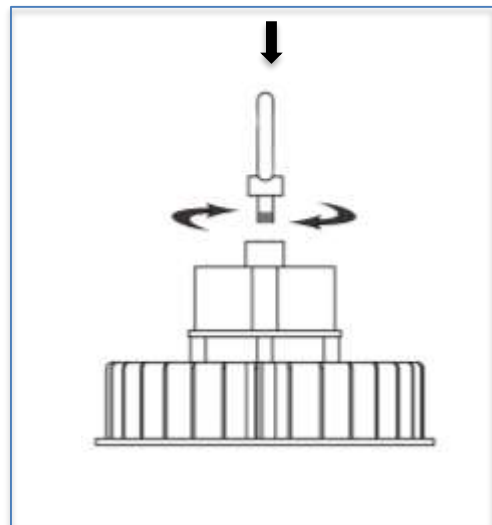
HB110662

Important Instructions. Please read first.

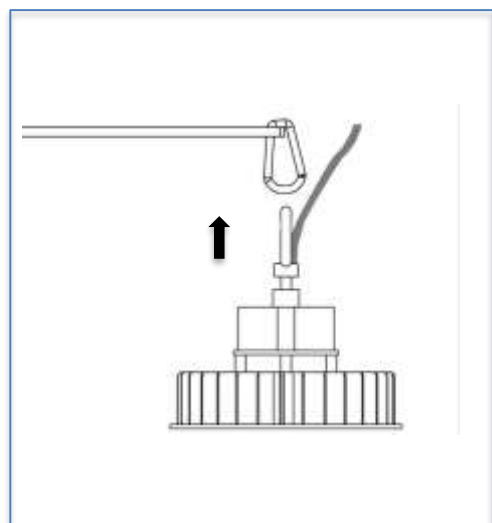
- Please follow instructions carefully. Failure to do so will void warranty. Please ensure installation complies with local law and applicable standards.
 1. Ensure correct input voltage is connected to the luminaire.
 2. Ensure the power is disconnected before making any connections.
 3. Do not make modification or alter the luminaire without written approval from GLP.
 4. Ensure to keep luminaire in a clean area free of debris.

INSTALLATION

- **Step 1:** Find the location where the luminaire has to be installed. Install a suitable wiring from the main supply (180-250V AC, 50/60Hz) to the luminaire.
- **Step 2:** Fix the hook on the luminaire. Make sure the hook is properly fitted.



- **Step 3:** Hang the luminaire by the hook.





- **Step 4:** Connect the main supply to the luminaire using terminal blocks or connectors. Wrap the connection using electrical tape.

