



## INSTALLATION INSTRUCTIONS

## MR16 BRASS SPIKE LIGHT - SP880484

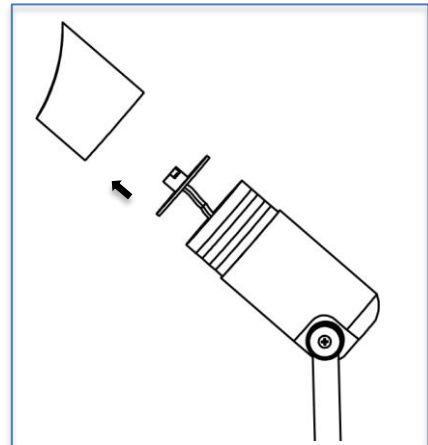
### Important Instructions. Please read first.

- Please follow instructions carefully. Failure to do so will void the warranty. Please ensure installation complies with local law and applicable standards.
  1. Only use a GLP power supply unit.
  2. Ensure correct input voltage is supplied to the luminaire.
  3. Ensure the power is disconnected before making any connections.
  4. Do not make modification nor alter the luminaire without written approval from GLP.
  5. Ensure to keep luminaire in a clean area free of debris.

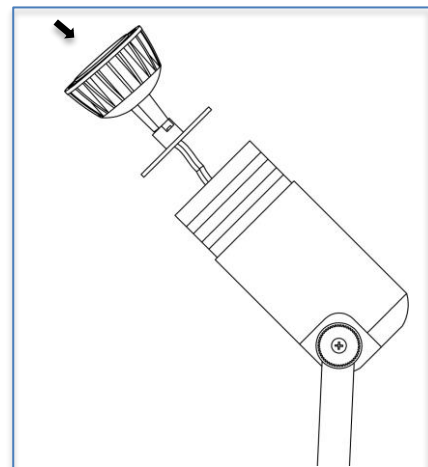


### INSTALLATION

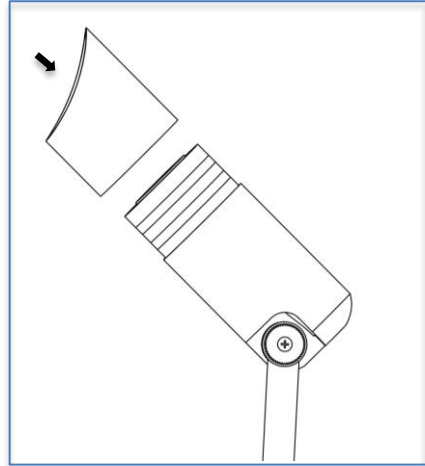
- **Step 1:** Find a location where the luminaire has to be installed. Install a suitable wiring from the power supply (12VAC) to the luminaire.
- **Step 2:** Remove the luminaire front cover and pull out the lamp holder.



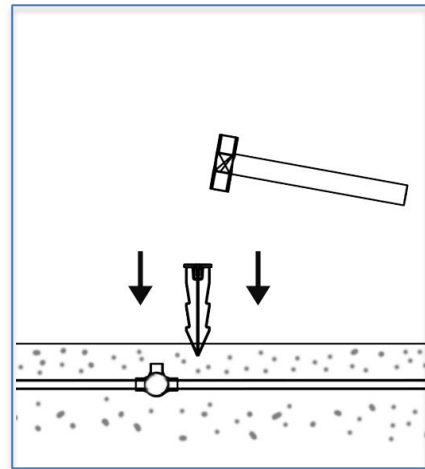
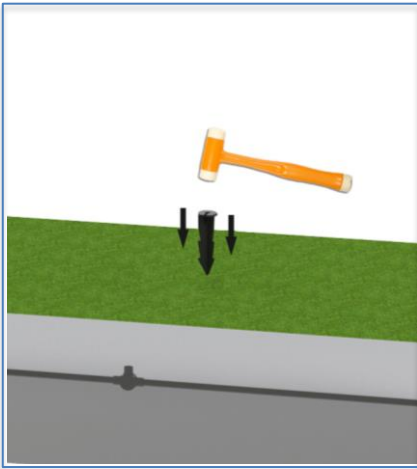
- **Step 3:** Fit the MR16 lamp properly on the holder.



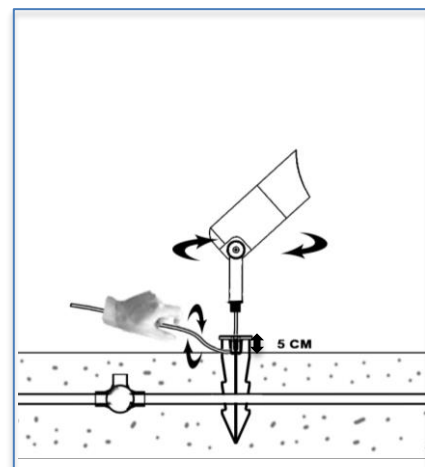
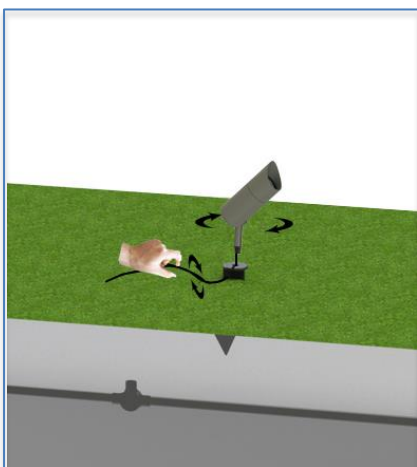
- **Step 4:** Put the front cover back properly.



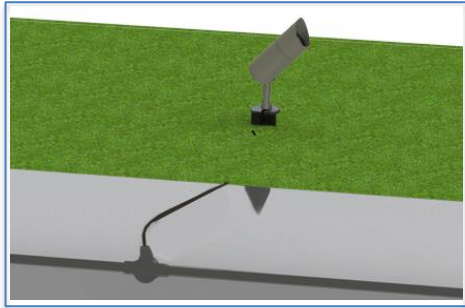
- **Step 5:** Mount the spike on the surface using a rubber mallet. Depending on type of surface raise the stake by 5cm above the surface as illustrated.



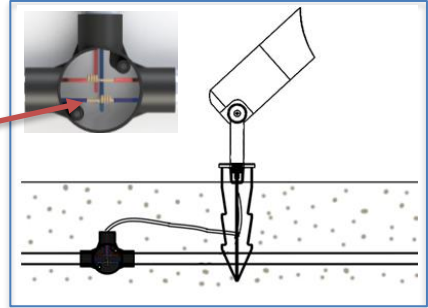
- **Step 6:** Fix the luminaire on the stake by rotating. Make sure the luminaire input cable is rotating with the luminaire to avoid potential damage to the luminaire input cable as illustrated.



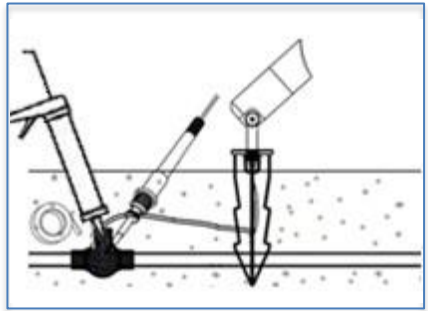
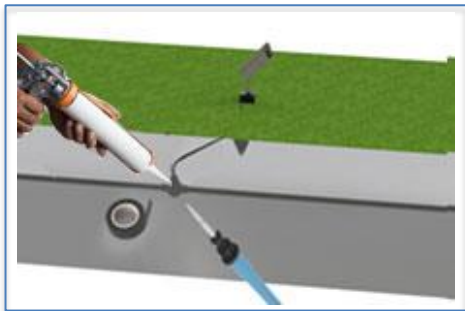
- **Step 7:** Connect the luminaire input cable to the main power supply (12V) cable (Do not cut the main power supply cable, just remove insulation, twist the luminaire input cable around the main cable). Ensure the junction box is installed within one meter from the luminaire as illustrated.



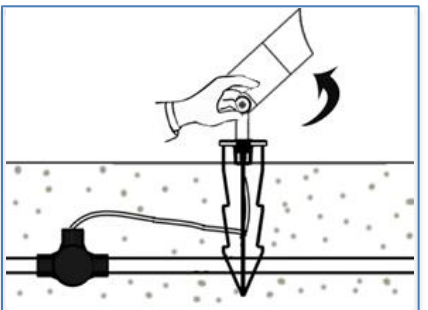
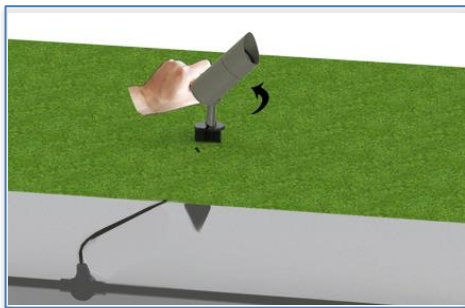
DO NOT CUT MAIN CABLE



- **Step 8:** Solder the connections, wrap the connection with 3M waterproof tape & electrical tape and keep all the connections inside the junction box. Put silicon on the top surface of the junction box and close the junction box with screws as illustrated.



- **Step 9:** Adjust the luminaire angle by thumb nut as illustrated.



| No. of fixtures | Wattage | Total Wattage | Wire size          |
|-----------------|---------|---------------|--------------------|
| 25 - 15         | 3W - 6W | 90W           | 2.5mm <sup>2</sup> |
| 35 - 20         | 3W - 6W | 120W          | 4mm <sup>2</sup>   |
| 55 - 30         | 3W - 6W | 180W          | 6mm <sup>2</sup>   |
| 75 - 40         | 3W - 6W | 240W          | 10mm <sup>2</sup>  |



Make sure the main power is switched off during installation.

**All the Installation and Maintenance must be done by Technicians and Professional Engineers**