

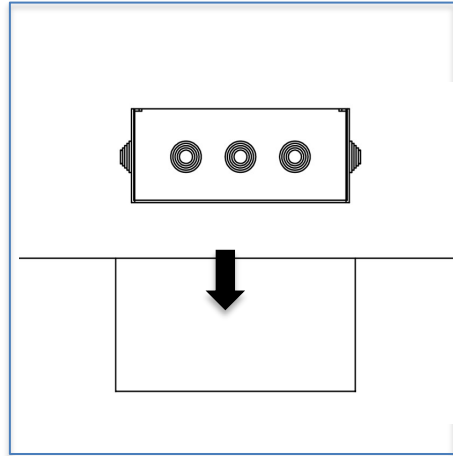
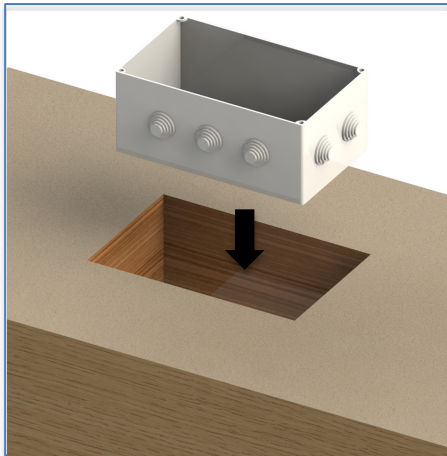
Important Instructions. Please read first.

- Please follow instructions carefully. Failure to do so will void the warranty. Please ensure installation complies with local law and applicable standards.
 1. Only use a GLP power supply unit.
 2. Ensure correct input voltage is connected to the luminaire.
 3. Ensure the power is disconnected before making any connections.
 4. Do not make modification nor alter the luminaire without written approval from GLP.
 5. Ensure to keep luminaire in a clean area free of debris.



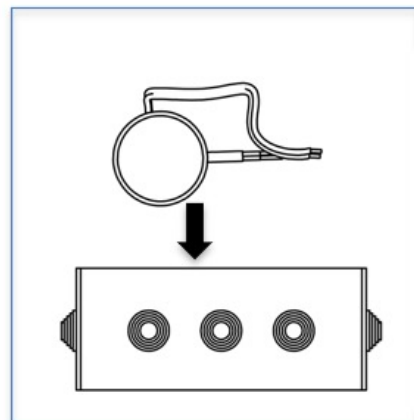
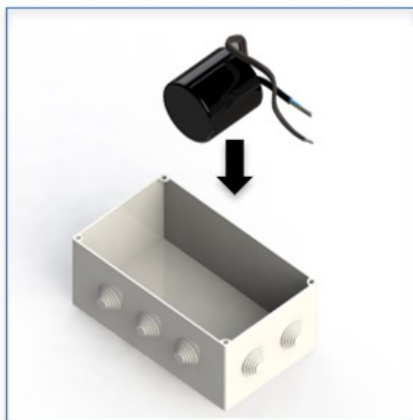
INSTALLATION

- **Step 1:** Find the location where the luminaire has to be installed. Prepare a waterproof Junction box within 2 meters of the fixture. The 12VAC Transformer and all connections must be kept inside the junction box.
- **Step 2:** Place a waterproof junction box in the soil.

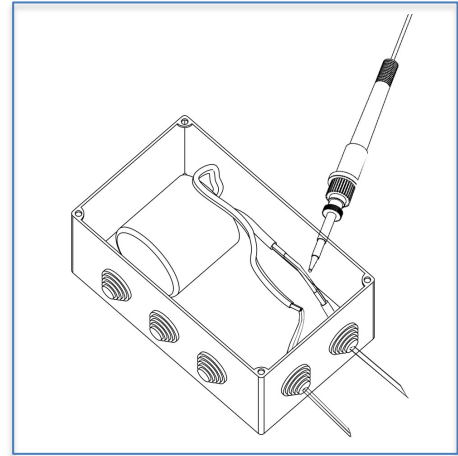
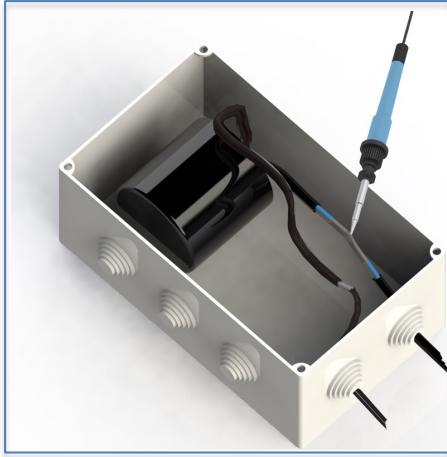


- **Step 3:** Place the individual 12V transformer in the waterproof junction box.

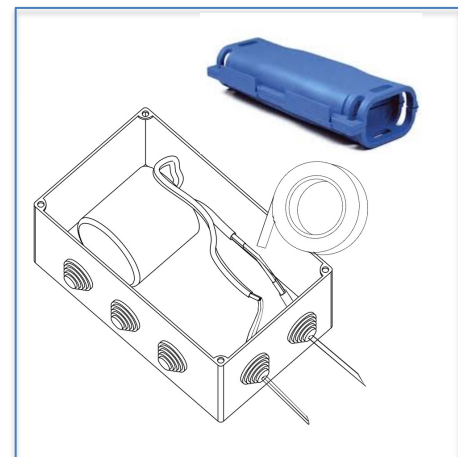
Note: Make sure the main circuit breaker is turned OFF.,



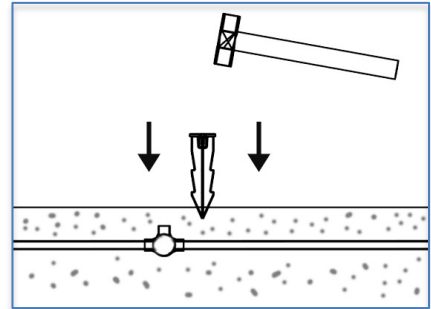
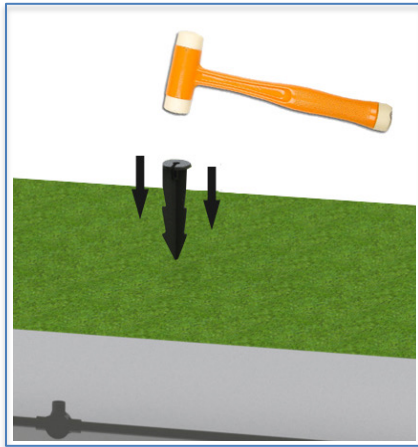
- **Step 4:** Connect the main supply input (220V) wires to the transformer 220VAC Input wire. Solder the 220VAC connections.



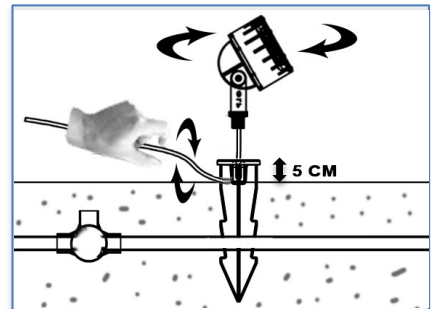
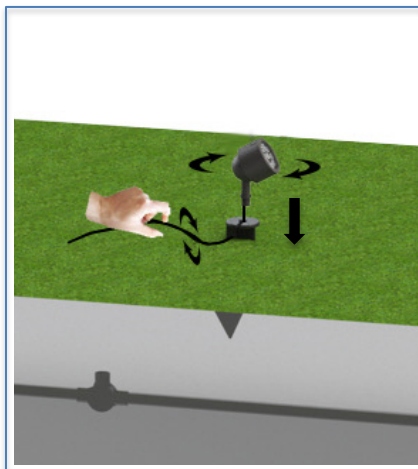
- **Step 5:** Wrap each 220VAC connection separately with electrical tape and 3M Waterproof Tape. **All connections must then be protected inside a Gel Connector.**



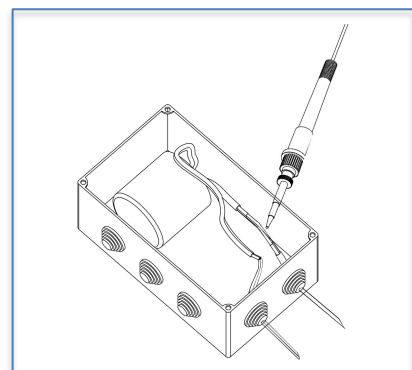
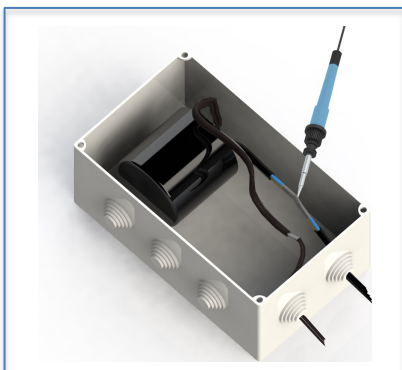
- **Step 6:** Mount the stake accessory (spike) on the surface using a rubber mallet. Make sure the stake is at least 5cm above the surface as illustrated.



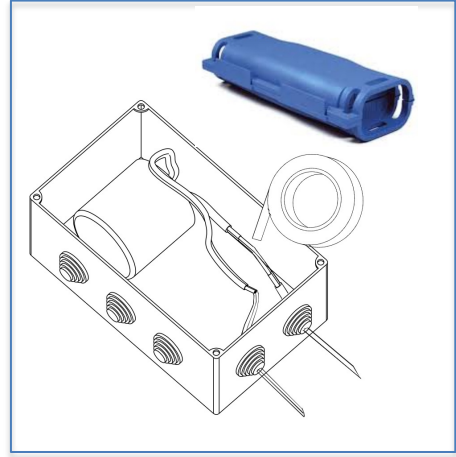
- **Step 7:** Fix the luminaire on the stake accessory by rotation. Make sure the luminaire input cable is rotating with the luminaire to avoid potential damage (twisting) of the luminaire input cable as illustrated.



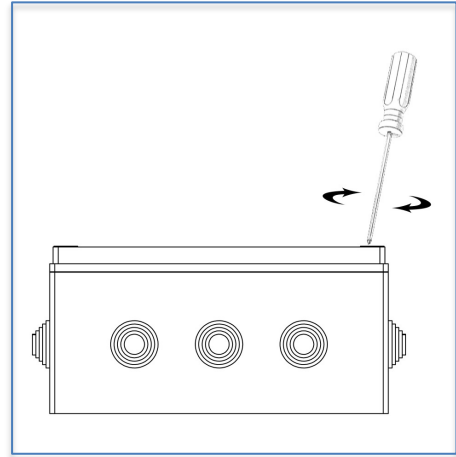
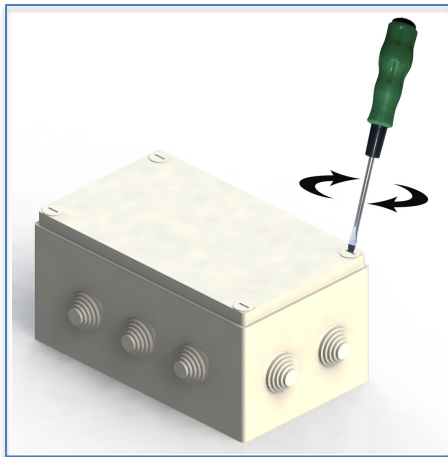
- **Step 8:** Connect the luminaire 12VAC input cable to the 12V Transformer 12VAC Output cable inside the junction box. Solder the 12VAC Connections.



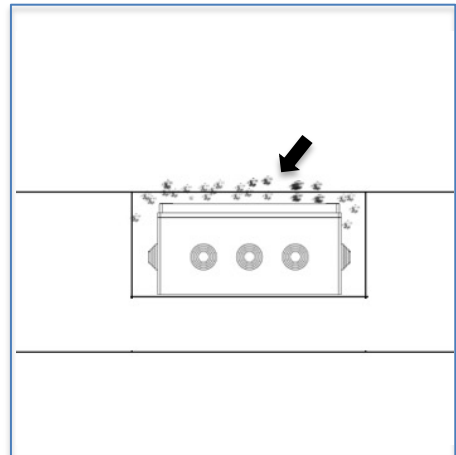
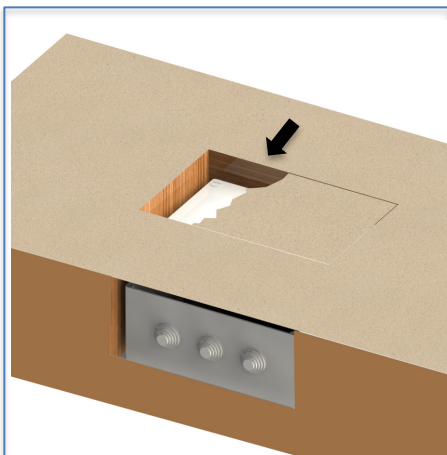
- **Step 9:** Wrap each 12VAC connection separately with electrical tape and 3M Waterproof Tape. **All 12VAC connections must then be protected inside a Gel Connector.**



- **Step 10:** Close and tighten the junction box lid screws using a screw driver

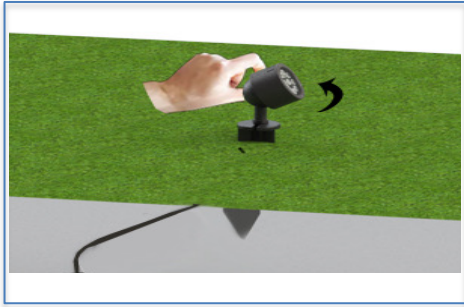


- **Step 11:** Cover the waterproof junction box with soil





- **Step 12:** Adjust the luminaire angle by thumb nut as illustrated.



Make sure the main power is switched off during installation.

