



INSTALLATION INSTRUCTIONS

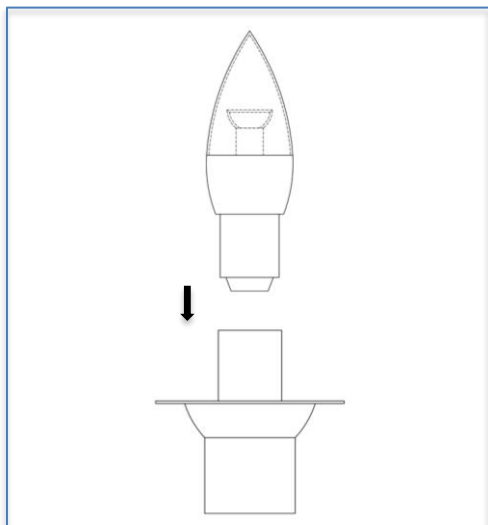
CL660075

Important Instructions. Please read first.

- Please follow instructions carefully. Failure to do so will void warranty. Please ensure installation complies with local law and applicable standards.
 1. Ensure correct input voltage is connected to the luminaire.
 2. Ensure the power is disconnected before making any connections.
 3. Do not make modification or alter the luminaire without written approval from GLP.
 4. Ensure to keep luminaire in a clean area free of debris.

INSTALLATION

- **Step 1:** Find the location where the luminaire has to be installed. Install a suitable wiring from the main supply (180-250V AC, 50/60Hz) to the luminaire.
- **Step 2:** Select the E27 holder matching with lamp base.



- **Step 3:** Fix the lamp on the holder properly.

