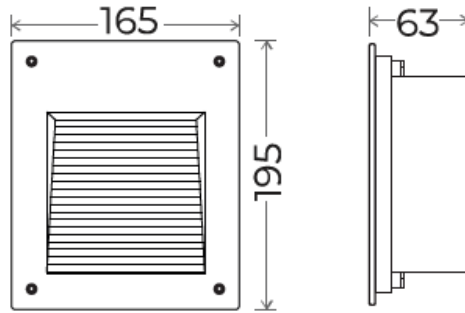




CAHAYA-WL220950

3W RECESSED WALL LIGHT



PRODUCT SPECIFICATIONS

Fixture Material	Die-cast Aluminum	LED Chip	CREE
Fixture Finish	Powder-coated dark gray Also available in bronze	Power Consumption	3W
Optic	High temperature Japanese Acrylic	Input Voltage	180~240V AC, 50/60Hz
Glass	Clear glass	Operating Temperature	from -20° to 65° C
Sleeve Material	Black Polycarbonate	Color Rendering Index	>85
Driver	Built-in	Driver Protection	Short Circuit
Binning	3 Step MacAdam	Warranty	3 years against manufacturing defects
Life Span	50,000 hours	Agency Approval	CE ,RoHS



Power (W)	Available color Temperatures	Luminous Flux			IP Rating	Available Beam Angles
		3000K	4000K	6000K		
3W	2700K 3000K 4000K 6000K	110lm/W	120lm/W	130lm/W	65	120°

Standard option.

Non-standard products may be subject to MOQ. Contact your regional sales representative for more information.