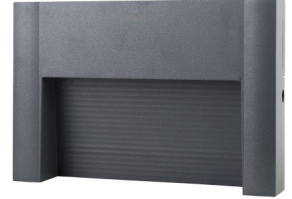


INSTALLATION INSTRUCTIONS

WL220149

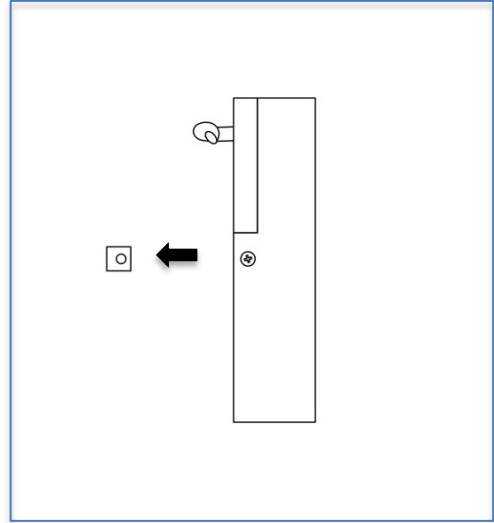
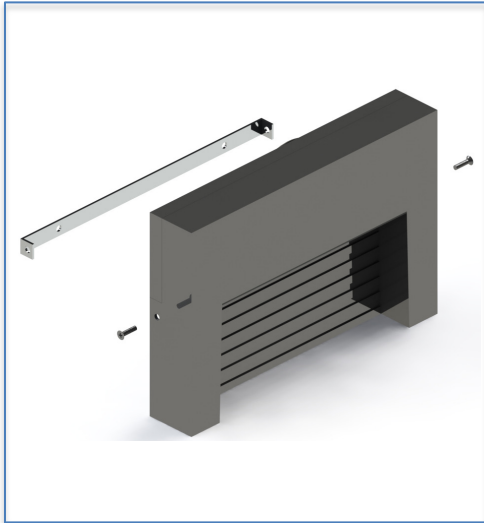
Important Instructions. Please read first.

- Please follow instructions carefully. Failure to do so will void warranty. Please ensure installation complies with local law and applicable standards.
 1. Only use a GLP power supply unit.
 2. Ensure correct input voltage is connected to the luminaire.
 3. Ensure the power is disconnected before making any connections.
 4. Do not make modification or alter the luminaire without written approval of GLP.
 5. Ensure to keep luminaire in a clean area free of debris.

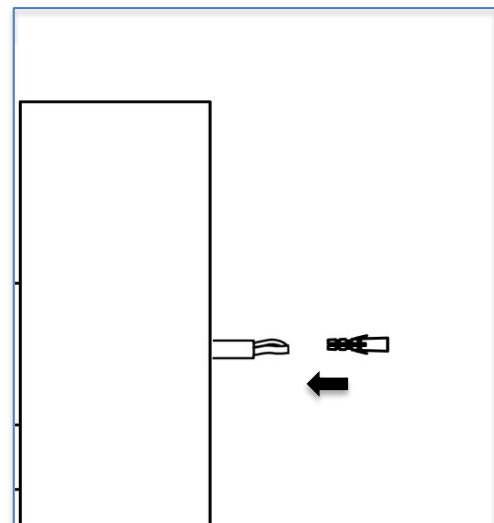
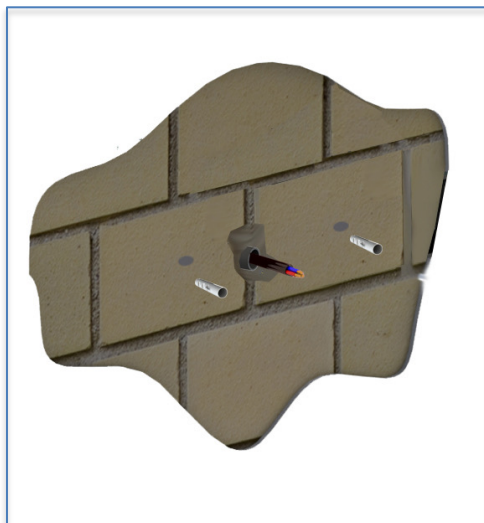


INSTALLATION

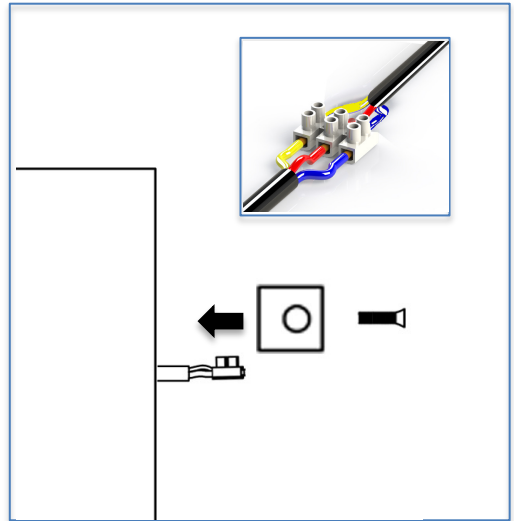
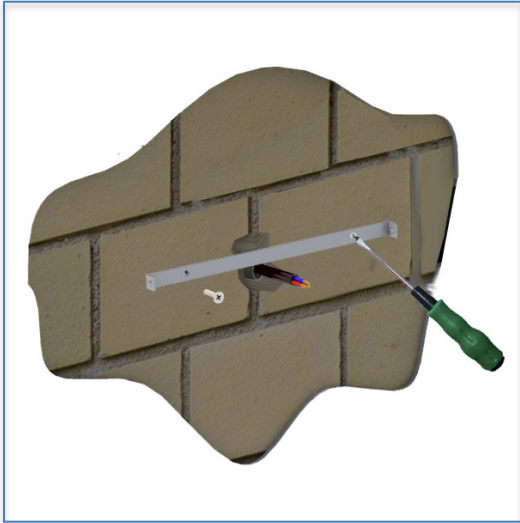
- **Step 1:** Find the location where the luminaire has to be installed. Install a suitable wiring from the power supply (220~240V AC, 50/60Hz) to the luminaire.
- **Step 2:** Remove the mounting bracket from the luminaire.



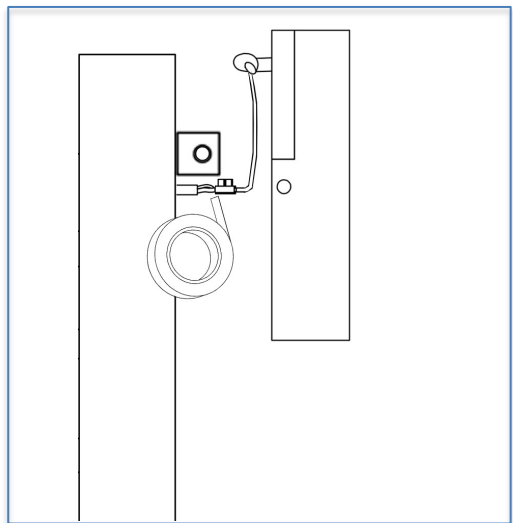
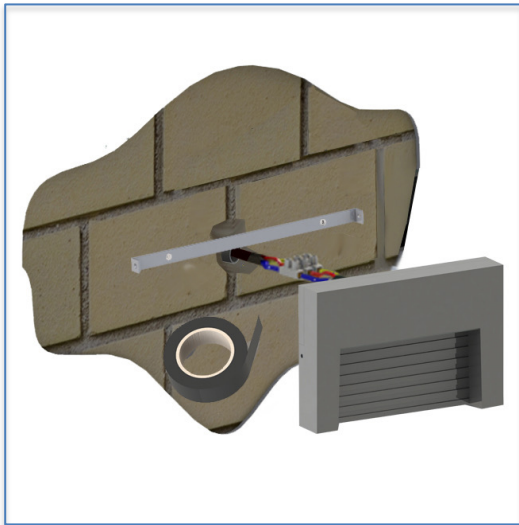
- **Step 3:** Take out the power supply from the wall where luminaire has to be installed . Fix fishers on the wall for the mounting bracket



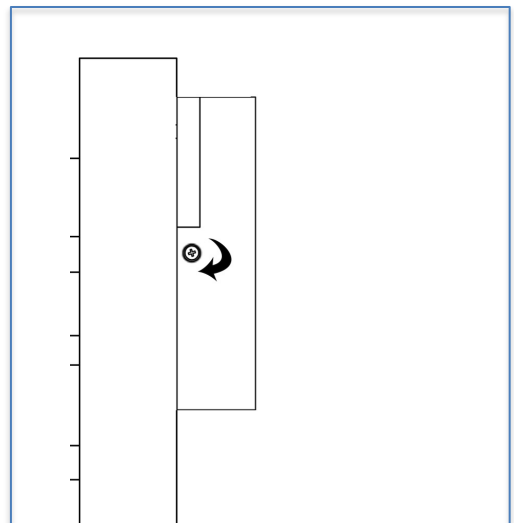
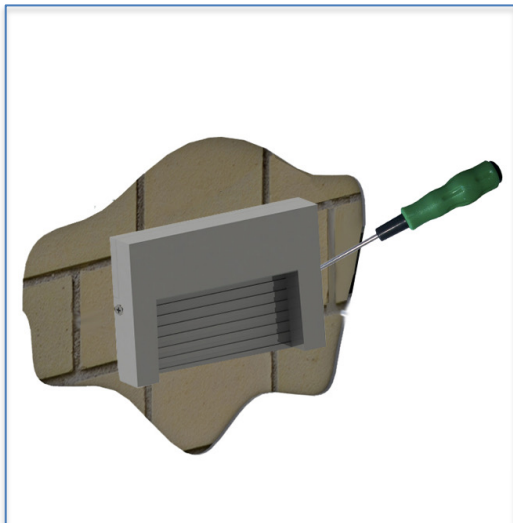
- **Step 4:** Fix the mounting bracket firmly on wall using screws.



- **Step 5:** Connect the luminaire to power supply using connectors and wrap connection using 3M tape.



- **Step 6:** Mount the luminaire on the bracket using screws.



All the Installation and Maintenance must be done by Technicians and Professional Engineers