

## INSTALLATION INSTRUCTIONS

**ALOK-FX111315-005 and LANA-DL111304**

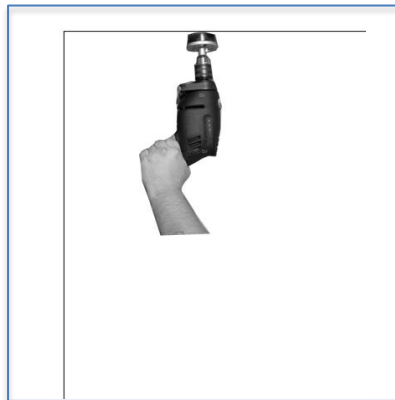
### Important Instructions. Please read first.

- Please follow instructions carefully. Failure to do so will void warranty. Please ensure installation complies with local law and applicable standards.
  1. Ensure correct input voltage is connected to the luminaire.
  2. Ensure the power is disconnected before making any connections.
  3. Do not make modification or alter the luminaire without written approval from GLP.
  4. Ensure to keep luminaire in a clean area free of debris.

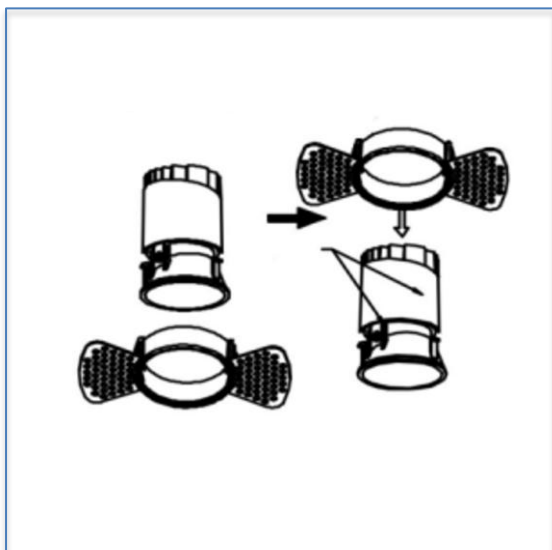


### INSTALLATION

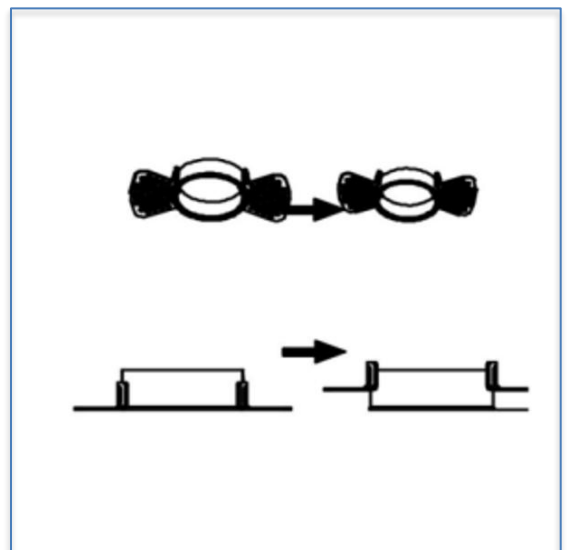
- **Step 1:** Find the location where the luminaire has to be installed. Install a suitable wiring from the main supply(180-250V AC, 50/60Hz) to the luminaire.
- **Step 2:** Make the cutout on the ceiling as per the luminaire cut size.



- **Step 3:** Separate the built-in fitting from the downlight body.

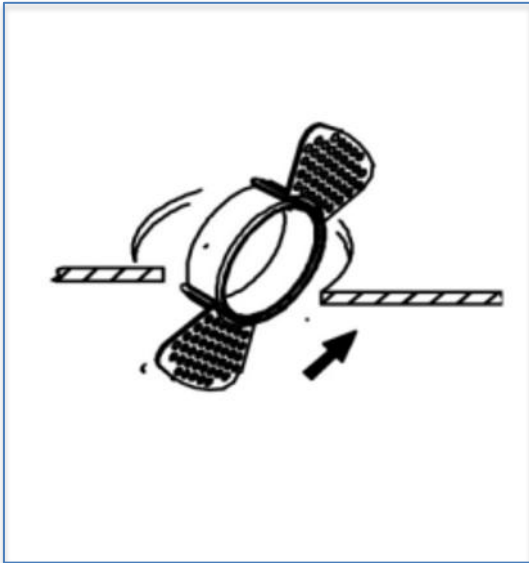


- **Step 4:** Turn to acquire the suitable thickness for the built-in fitting.

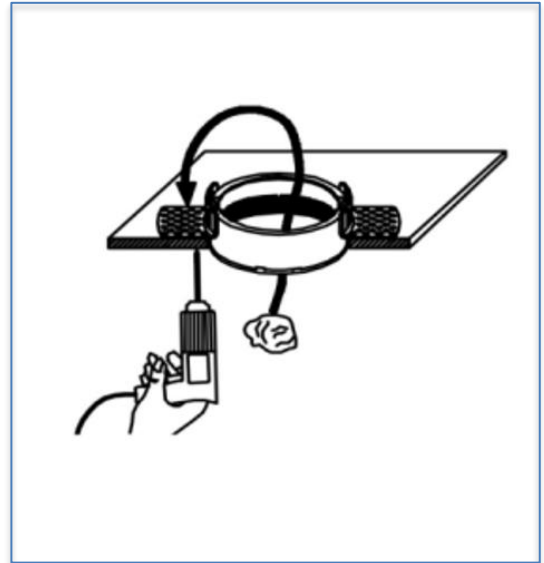


**All the Installation and Maintenance must be done by Technicians and Professional Engineers**

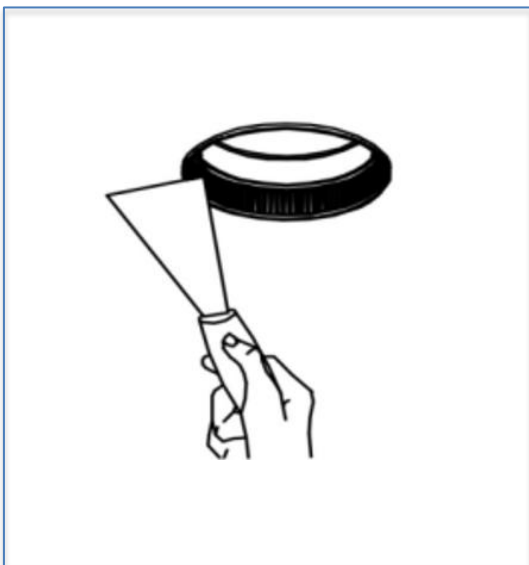
- **Step 5:** Insert the fitting securely into the ceiling hole.



- **Step 6:** Secure the fitting firmly with screws.



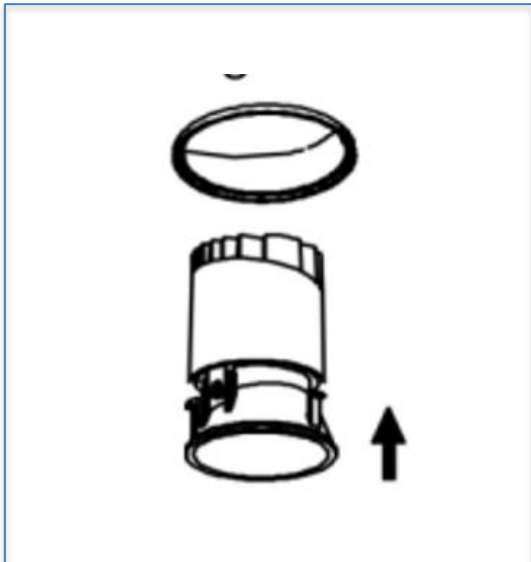
- **Step 7:** Paint or finish the ceiling surface if needed.



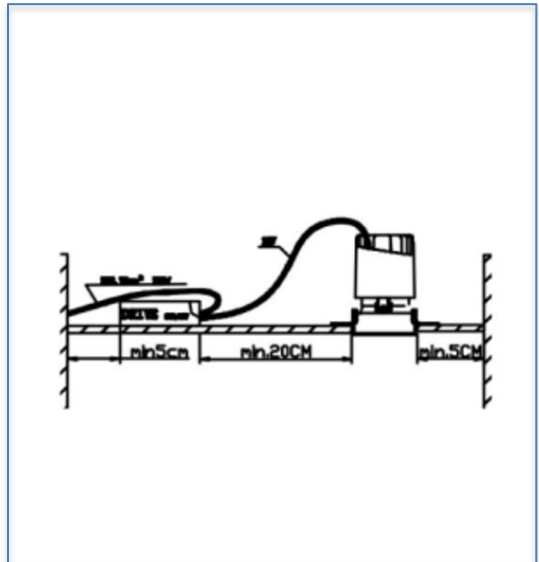
- **Step 8:** Safely connect the power supply wires to the downlight terminals. Ensure polarity and insulation are correct.



**Step 9:** Push the downlight into the mounted fitting until it locks securely.



**Step 10:** Verify the installation is complete and the light functions correctly.



Make sure the main power is switched off during installations.

**All the Installation and Maintenance must be done by Technicians and Professional Engineers**