

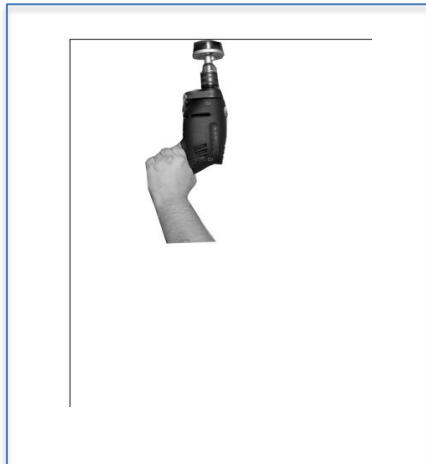
Important Instructions. Please read first.

- **Please follow instructions carefully. Failure to do so will void warranty. Please ensure installation complies with local law and applicable standards.**
 1. Ensure correct input voltage is connected to the luminaire.
 2. Ensure the power is disconnected before making any connections.
 3. Do not make modification or alter the luminaire without written approval from GLP.
 4. Ensure to keep luminaire in a clean area free of debris.

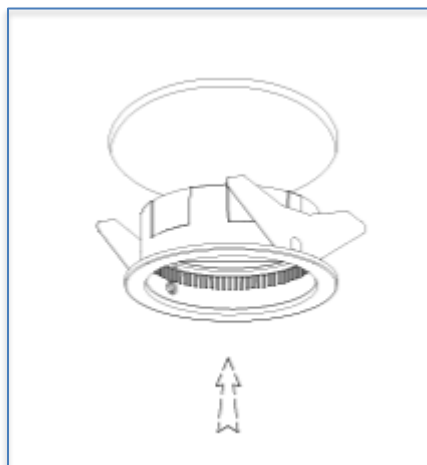


INSTALLATION

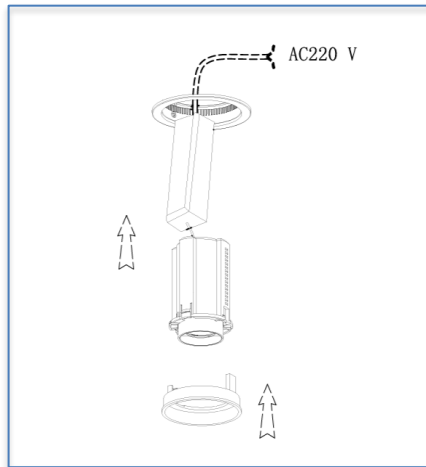
- **Step 1:** Find the location where the luminaire has to be installed. Install a suitable wiring from the main supply(180-250V AC, 50/60Hz) to the luminaire.
- **Step 2:** Make the cutout on the ceiling as per the luminaire cut size.



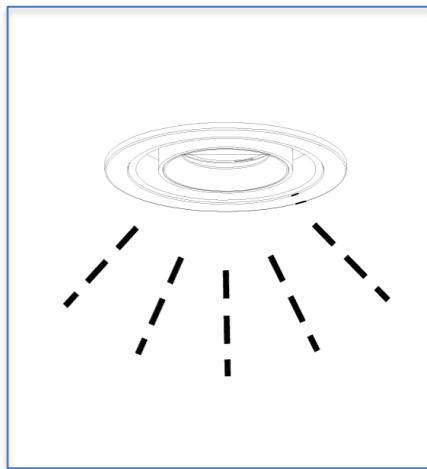
- **Step 3:** Insert the outer mounting ring into the pre-cut ceiling hole, ensuring the spring clips are engaged to hold the housing securely in place and flush with the ceiling surface.



Step 4: Ensure that the power is switched off and then safely connect the fixture's power input to the main AC220 V electrical supply, then insert the lamp/driver unit and secure it within the housing. Attach the final trim piece to complete the lamp assembly.



Step 5: After installation is complete, switch the power from OFF to ON to confirm that the light is functioning correctly and emitting light as expected.



Make sure the main power is
switched off during installations.

All the Installation and Maintenance must be done by Technicians and Professional Engineers