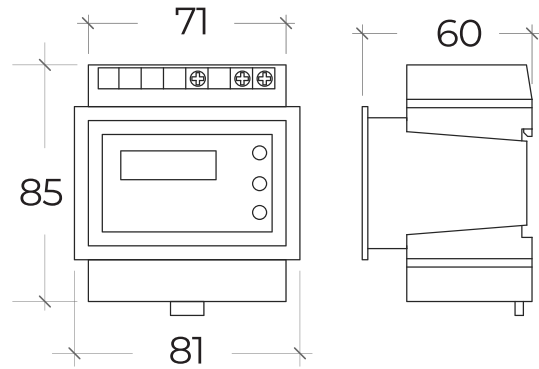


# POWER SUPPLIES AND ACCESSORIES

## ASTRONOMICAL TIMER



This astronomical timer uses microprocessor programming to determine accurately sunrise and sunset without requiring an optical device.

### Features:

- **Precision Timing:** Microprocessor-based programming accurately computes sunrise and sunset timings without requiring an optical sensor.
- **Memory Retention:** Retains all settings without Input voltage for up to 5 years, ensuring uninterrupted operation.
- **Flexible Scheduling:** Offers an adjustable time setting to turn off each output 1 to 12 hours after sunset, or an independent time setting for each output after sunset.
- **Customizable Delays:** Allows On/Off delay or advance time adjustment of up to 120 minutes before or after sunset/sunrise for optimized control.
- **Extended Lifespan:** Designed for long-term performance with a 40,000-hour nominal lifespan.
- **Battery Backup:** Features a replaceable lithium battery, ensuring reliable functionality over time.
- **Electrical Protection:** Equipped with overvoltage and undervoltage protection for enhanced safety and durability.

Code	Input/Output Voltage	Max Power Rating	Cutoff Voltage	Warranty
ACC-AT880482	165-260VAC, 50/60Hz	20A	Overvoltage: 255V Undervoltage: 170V	3 years against manufacturing defects



Standard option Non-standard products may be subject to MOQ, Contact your regional sales representative for more information.

GLP® reserves the right to change product specifications and designs without prior notice.