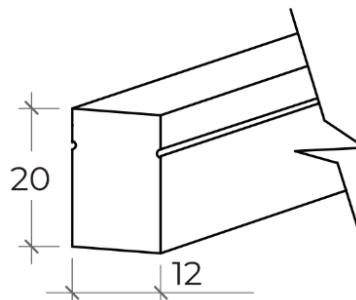
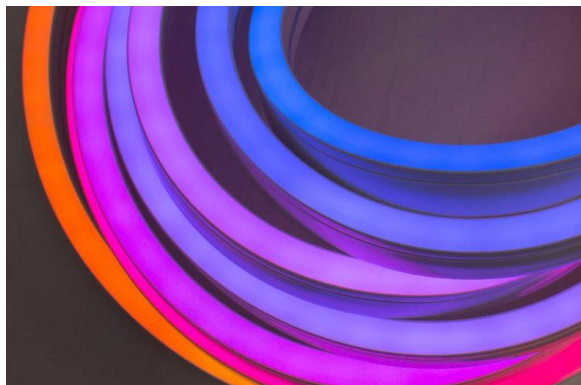


ABHA-NS330104

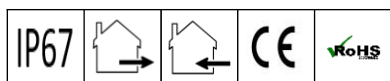
144W LED NEON LIGHT (14.4W/Meter)



PRODUCT FEATURES

Strip material	Opal Silicone
IP67 seal-out material	Opal Silicon rubber
Installation Tape	Mounting clips or Channel
Dimmability	Compatible with standard phase dimming, 0-10V and DALI dimming system
Binning	3 Step MacAdam
Life Span	50,000 hours
Weight	1360g

LED TYPE	Samsung
Power Consumption	144W per Meter (14.4W/m)
Input Voltage	24VDC
Length	5000mm (Also available 10000mm)
Dimensions	20mm x 12mm
Bending Type	Horizontal
Strip thickness	12mm
Operating Temperature	from -20° to 50° C
Minimum Cutting Length	10cm (1unit)
Color Rendering Index	>85
Warranty	3 years against manufacturing defects
Agency Approval	CE, RoHS



Power (W)	Available color Temperatures	LED Chip Lumen Efficacy			IP Rating	Available Beam Angles
		3000K	4000K	6000K		
144W	2700K 3000K 4000K 6000K RGB	110lm/W	120lm/W	130lm/W	67	120°

Standard option.

Non-standard products may be subject to MOQ. Contact your regional sales representative for more information.