

POWER SUPPLIES AND ACCESSORIES

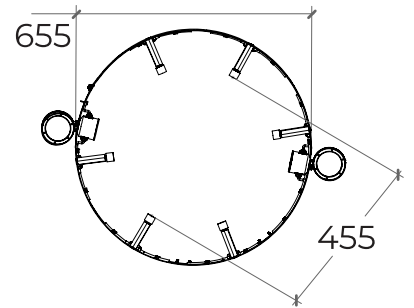
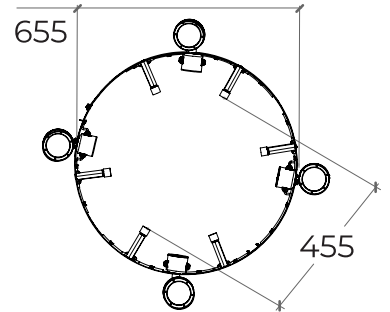
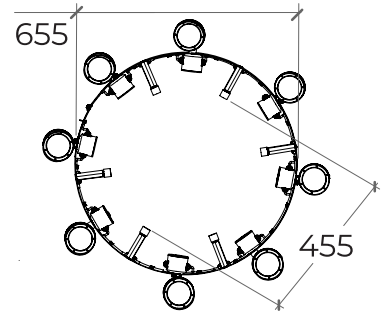
ADJUSTABLE TREE RING FOR SPIKE LIGHTS



The GLP® Adjustable Tree Ring is designed for secure and flexible mounting of GLP® Spike Lights on trees of various sizes. Featuring an adjustable diameter and multiple bracket configurations (8, 4, or 2 brackets), it ensures precise lighting placement while protecting tree growth.

Features:

- **Versatile Mounting:** Available with 8, 4, or 2 brackets for customizable lighting setups.
- **Adjustable Fit:** Accommodates tree sizes up to 45.5 cm with secure support studs.
- **Tree-Safe Design:** Includes 6 soft-ended studs to prevent damage.
- **Durable Build:** 304 stainless steel with a powder-coated bronze finish for corrosion resistance.
- **Strong & Secure:** Die-cast aluminum brackets ensure stability.
- **GLP® Spike Light Compatible:** Holds up to 8 GLP® Spike Lights safely.



Code	Suitable Tree Size	Mounting Brackets Available	Spike Light Compatibility (2, 4 & 8 Brackets)	Ring Material	Ring Finish	Bracket Material	Bracket Finish
880622	Up to 45.5cm diameter	2	SP220001	304 Stainless Steel	Powder Coated Bronze	Die-Cast Aluminum	Powder Coated Bronze
			SP220002				
			SP220004				
880616		4	SP220009				
			SP880484				
880618		8	SP220155				

IK10
RoHS

Standard option Non-standard products may be subject to MOQ, Contact your regional sales representative for more information.

GLP® reserves the right to change product specifications and designs without prior notice.